



Reversible Dumper

DR1001AHG

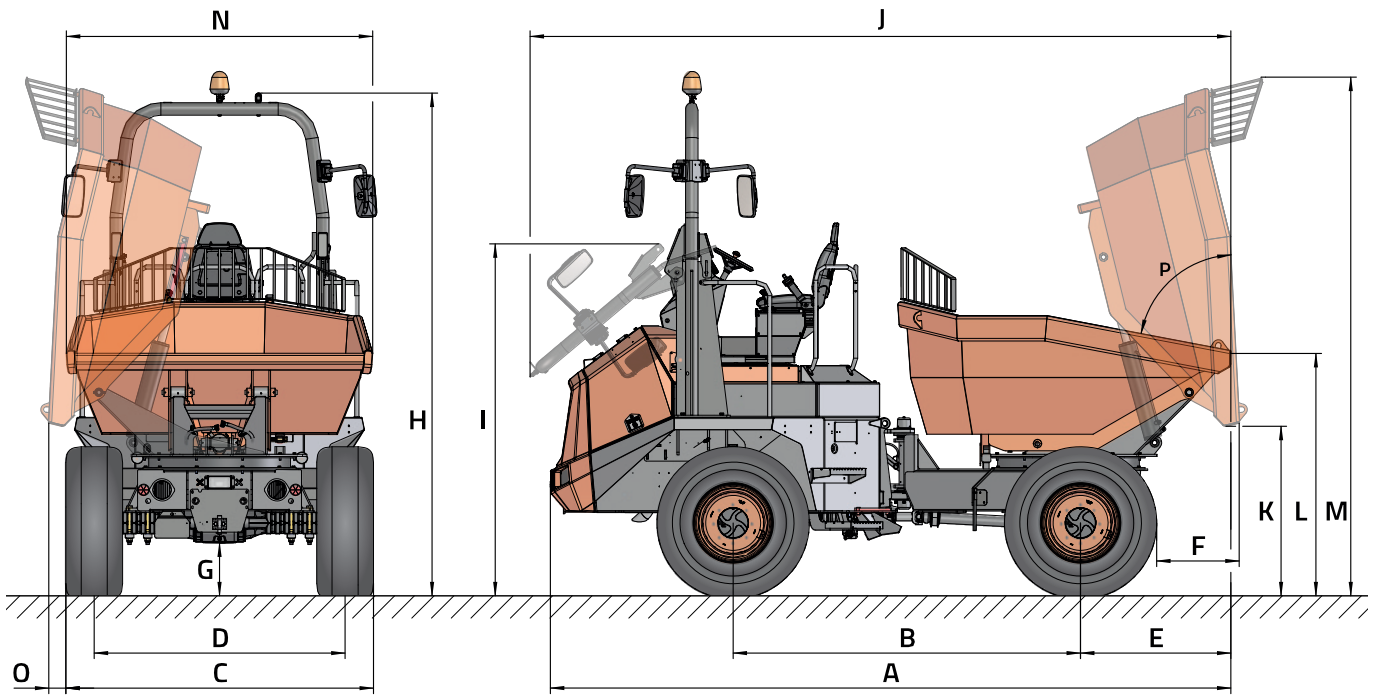


## TECHNICAL DATA

| GENERAL                 |         | DR1001AHG                       |
|-------------------------|---------|---------------------------------|
| Unloading system        | -       | Rotating                        |
| Load capacity           | kg      | 10000                           |
| Chassis                 | -       | Articulated and oscillating     |
| Water hopper capacity   | l       | 1850                            |
| Level hopper capacity   | l       | 3300                            |
| Heaped hopper capacity  | l       | 3900                            |
| Empty weight            | kg      | 5050*                           |
| Transmission            | -       | Hydrostatic                     |
| ENGINE                  |         |                                 |
| Brand                   | -       | DEUTZ                           |
| Model                   | -       | TCD3.6 L4 HT                    |
| Power                   | kW      | 55,4                            |
| Operating speed         | rpm     | 2200                            |
| Torque                  | N·m@rpm | 390@1300                        |
| No. of cylinders        | -       | 4                               |
| Emissions               | -       | Stage III B                     |
| Injection               | -       | Common Rail                     |
| Exhaust aftertreatment  | -       | DOC (diesel oxidation catalyst) |
| Noise                   | dB(A)   | 101                             |
| DRIVING                 |         |                                 |
| Max. speed              | km/h    | 22                              |
| Maximum gradient        | %       | 45                              |
| External turning radius | mm      | 6287                            |
| Traction                | -       | 4x4                             |
| Tyres                   | -       | 500/60-22.5                     |
| HYDRAULIC SYSTEM        |         |                                 |
| Hydraulic circuit       | -       | Double gear pump                |
| Flow rate               | l/min   | 50                              |
| Working pressure        | bar     | 180                             |
| TANK CAPACITY           |         |                                 |
| Fuel                    | l       | 69                              |
| Hydraulic system        | l       | 60                              |
| BRAKES                  |         |                                 |
| Service                 | -       | Sealed brakes. Hydraulic drive  |
| Parking                 | -       | Negative                        |

\* Without cab

## DIMENSIONS



| DIMENSIONS (mm) | DR 1001 AHG  |
|-----------------|--------------|
| A               | 5020         |
| B               | 2690         |
| C               | 2410         |
| D               | 1920         |
| E               | 990          |
| F               | 485          |
| G               | 410          |
| H               | 3640 (3380*) |
| I               | 2560         |
| J               | 5140         |
| K               | 1260         |
| L               | 1820         |
| M               | 3940         |
| N               | 2330         |
| O               | 155          |
| DIMENSIONS (°)  |              |
| P               | 75           |

\* With closed cab



[www.ausa.com](http://www.ausa.com)

Products are subject to modifications without prior notice. Images throughout the spec sheet may refer to non-standard machines or non-available configurations depending on models.

AUSA's logo and corporate identity are property of the Company, they cannot be used without authorization.