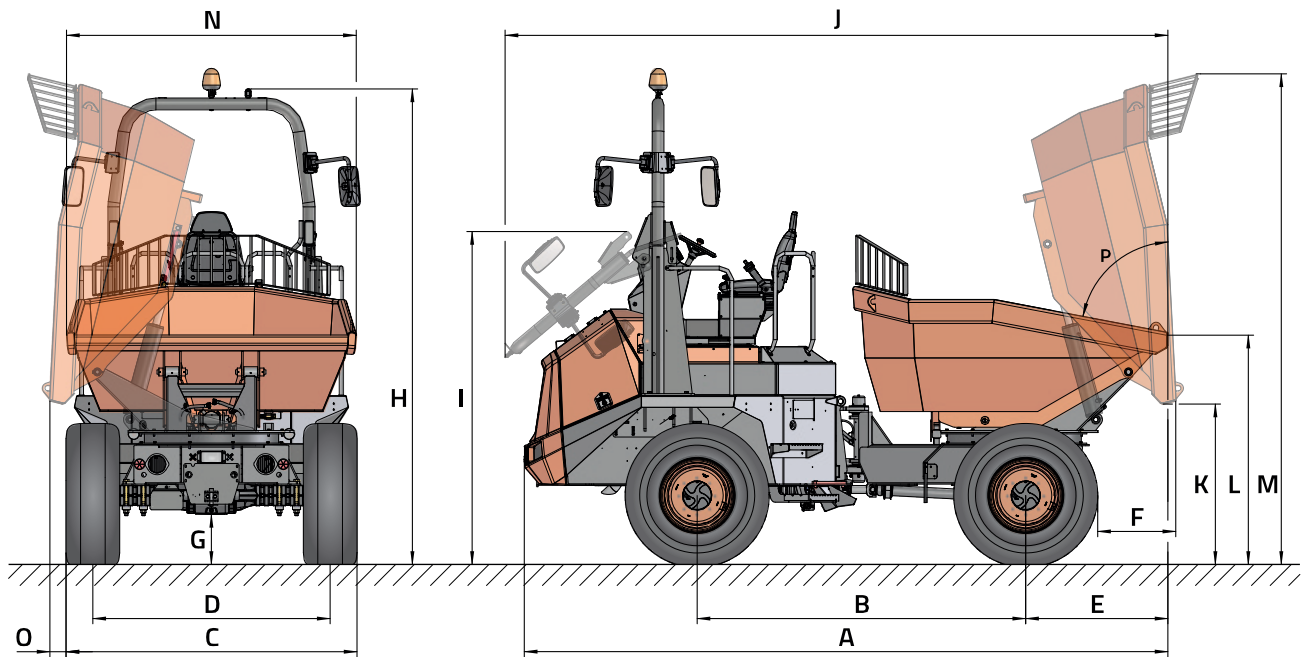




## TECHNICAL DATA

GENERAL		DR 601 AHG
Unloading system	-	Rotating
Load capacity	kg	6000
Chassis	-	Articulated and oscillating
Water hopper capacity	l	1665
Level hopper capacity	l	2455
Heaped hopper capacity	l	3154
Empty weight	kg	4830
Transmission	-	Hydrostatic
ENGINE		
Brand	-	DEUTZ
Model	-	TD3.6 L4
Power	kW	55,4
Operating speed	rpm	2200
Torque	N-m@rpm	340@1500
No. of cylinders	-	4
Emissions	-	Stage V
Injection	-	Common Rail and electronic management
Exhaust aftertreatment	-	DPF (Diesel particulate filter)
Noise	dB(A)	101
DRIVING		
Max. speed	km/h	25
Maximum gradient	%	45
External turning radius	mm	5900
Traction	-	4x4
Tyres	-	405/70-20
HYDRAULIC SYSTEM		
Hydraulic circuit	-	Double gear pump
Flow rate	l/min	50
Working pressure	bar	180
TANK CAPACITY		
Fuel	l	69
Hydraulic system	l	60
BRAKES		
Service	-	Sealed brakes. Hydraulic drive
Parking	-	Negative

## DIMENSIONS



DIMENSIONS (mm)	DR 601 AHG
A	4910
B	2490
C	2210
D	1800
E	1080
F	580
G	380
H	3610 (3350*)
I	2530
J	5030
K	1220
L	1740
M	3720
N	2200
O	110
DIMENSIONS (°)	
P	75

\* With closed cab



[www.ausa.com](http://www.ausa.com)

Products are subject to modifications without prior notice. Images throughout the spec sheet may refer to non-standard machines or non-available configurations depending on models.

AUSA's logo and corporate identity are property of the Company, they cannot be used without authorization.