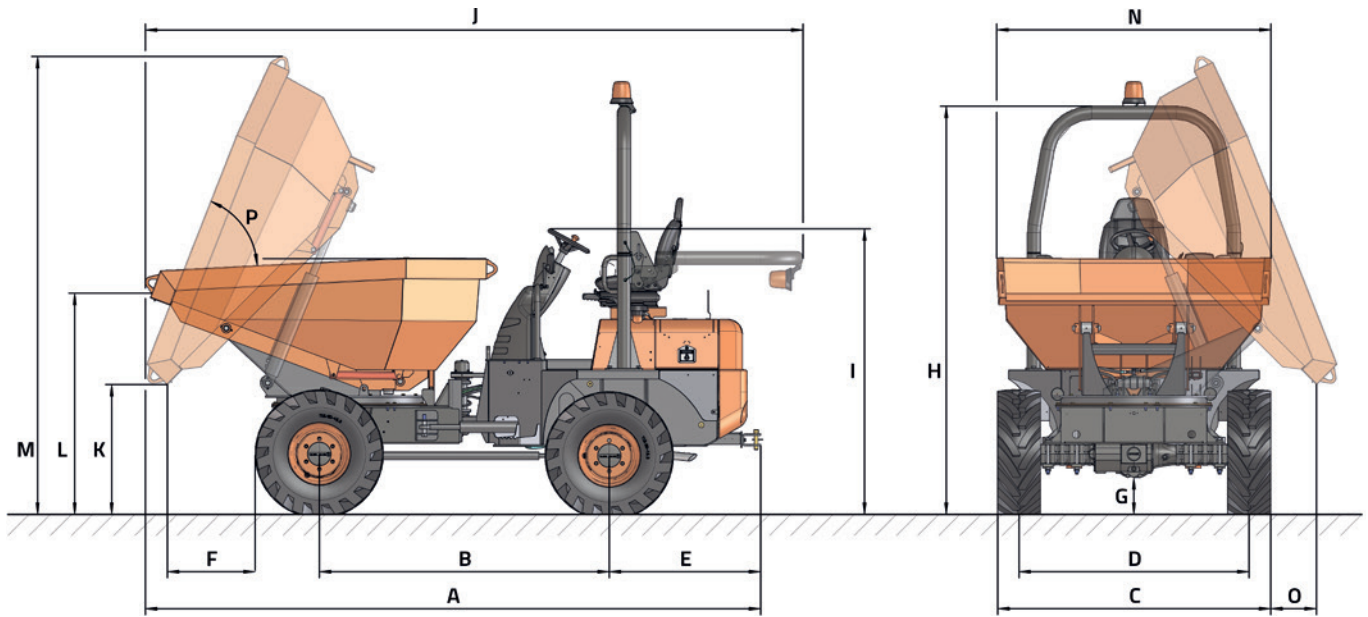




## TECHNICAL DATA

GENERAL		D 450 AHG
Unloading system	-	Rotating
Load capacity	kg	4500
Chassis	-	Articulated and oscillating
Water hopper capacity	l	1370
Level hopper capacity	l	2055
Heaped hopper capacity	l	2670
Empty weight	kg	2970
Transmission	-	Hydrostatic
ENGINE		
Brand	-	KUBOTA
Model	-	V2403M - E3B
Power	kW	36,5
Operating speed	rpm	2700
Torque	N·m@rpm	160@1600
No. of cylinders	-	4
Emissions	-	StageIIIA, EPA Tier4i
Noise	dB(A)	101
DRIVING		
Max. speed	km/h	19
Maximum gradient	%	35
External turning radius	mm	4830
Traction	-	4x4
Tyres	-	12.0/75-18
HYDRAULIC SYSTEM		
Hydraulic circuit	-	12 cc gear pump
Flow rate	l/min	31,2
Working pressure	bar	170
TANK CAPACITY		
Fuel	l	44
Hydraulic system	l	40
BRAKES		
Service	-	Sealed brakes with multiple discs in oil. Hydraulic drive
Parking	-	Sealed brakes with multiple discs in oil. Mechanical drive

# DIMENSIONS



DIMENSIONS (mm)	D 450 AHG
4380	4380
1960	1960
1860	1860
1555	1555
1025	1025
775	775
310	310
2820	2820
2100	2100
4660	4660
735	735
1640	1640
3190	3190
1870	1870
520	520
DIMENSIONS (°)	
65	65



[www.ausa.com](http://www.ausa.com)

Products are subject to modifications without prior notice. Images throughout the spec sheet may refer to non-standard machines or non-available configurations depending on models.

AUSA's logo and corporate identity are property of the Company, they cannot be used without authorization.