

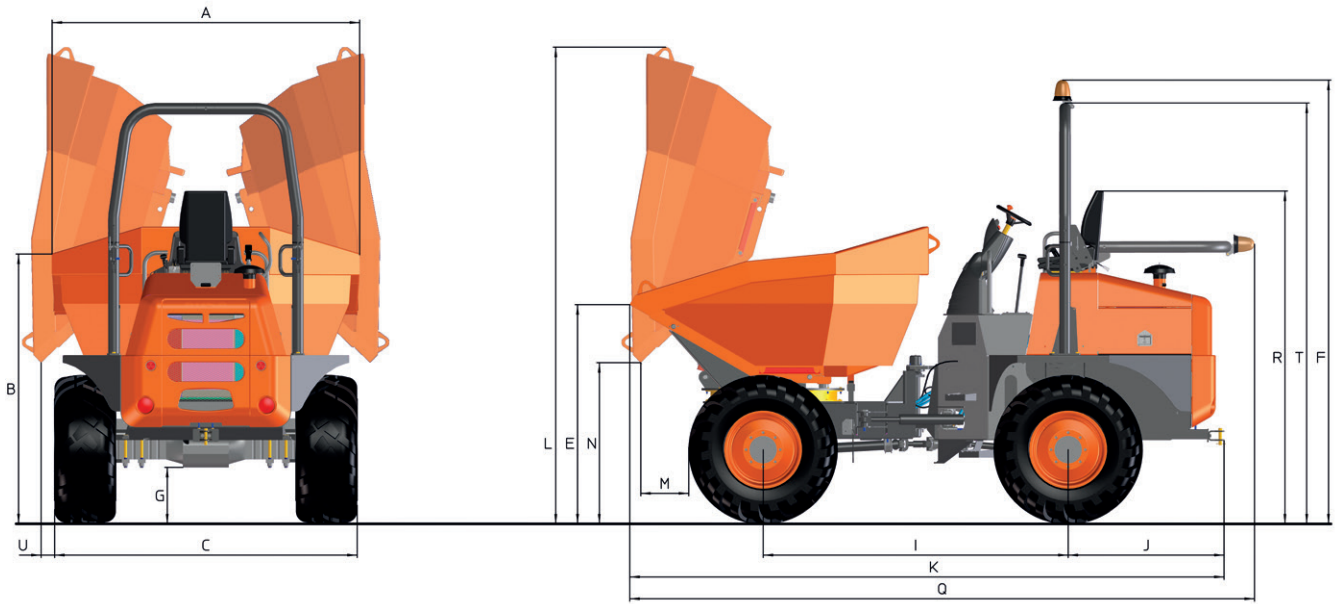


TECHNICAL DATA

GENERAL		D 1000 APG
Unloading system	-	Rotating
Load capacity	kg	10000
Chassis	-	Articulated and oscillating
Water hopper capacity	l	1950
Level hopper capacity	l	3140
Heaped hopper capacity	l	4790
Empty weight	kg	4990
Transmission	-	Torque converter
ENGINE		
Brand	-	KUBOTA
Model	-	V3800T
Power	kW	74
Operating speed	rpm	2600
Torque	N·m@rpm	330 @1500
No. of cylinders	-	4
Emissions	-	Stage IIIA - EPA Tier3
Noise	dB(A)	102
DRIVING		
Max. speed	km/h	38
Maximum gradient	%	60
External turning radius	mm	5900/7350*
Traction	-	4x4
Tyres	-	500/60-22.5
HYDRAULIC SYSTEM		
Hydraulic circuit	-	23,3 cc gear pump
Flow rate	l/min	
Working pressure	bar	170
TANK CAPACITY		
Fuel	l	70
Hydraulic system	l	65
BRAKES		
Service	-	Sealed brakes. Hydraulic drive
Parking	-	Sealed brakes. Mechanical drive

* With closed cab

DIMENSIONS



DIMENSIONS (mm)	D 1000 APG
A	2475
B	2340
C	2425
E	1715
F	3515
G	410
I	2450
J	1250
K	4775
L	3780
M	455
N	1315
Q	5015
R	2515
T	3330 (3205*)
U	84

* With closed cab



www.ausa.com

Products are subject to modifications without prior notice. Images throughout the spec sheet may refer to non-standard machines or non-available configurations depending on models.

AUSA's logo and corporate identity are property of the Company, they cannot be used without authorization.