



Articulated Dumper

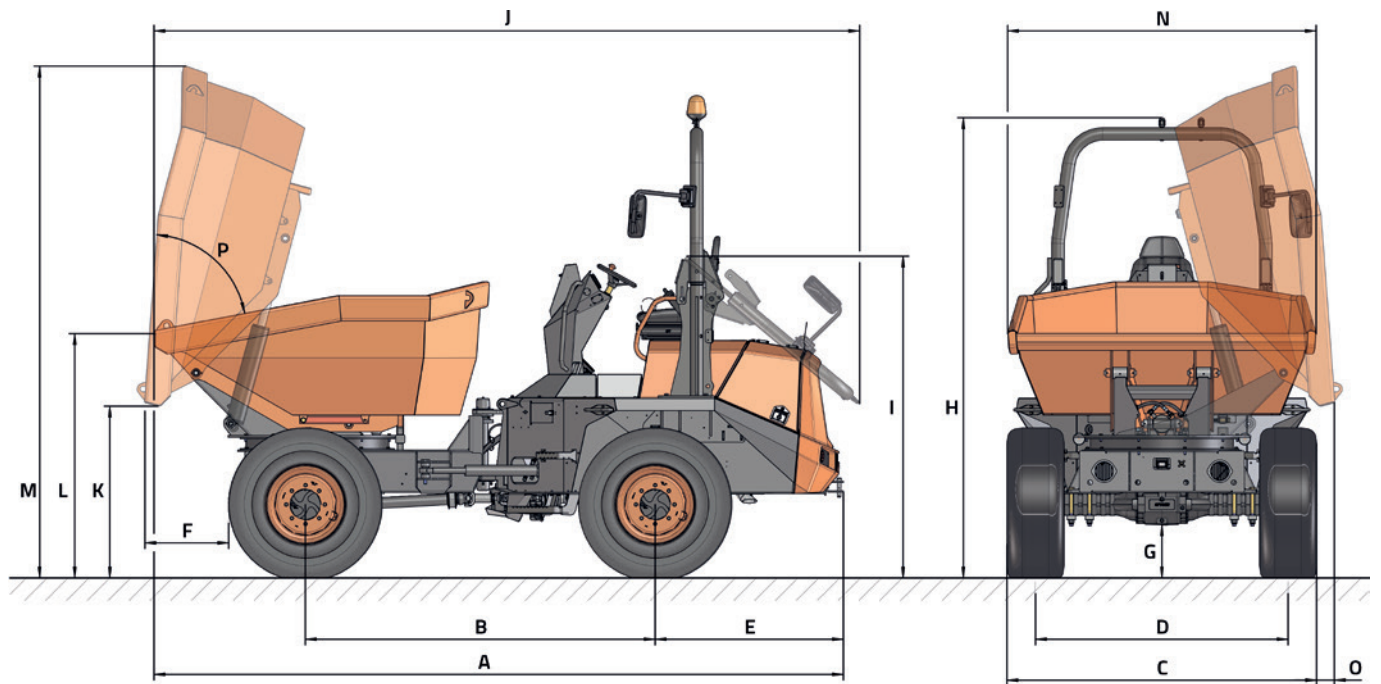
D 1001 AP D 1001 APG



TECHNICAL DATA

GENERAL		D 1001 AP	D 1001 APG
Unloading system	-	Frontal	Rotating
Load capacity	kg	10000	10000
Chassis	-	Articulated and oscillating	Articulated and oscillating
Water hopper capacity	l	2270	1850
Level hopper capacity	l	3800	3300
Heaped hopper capacity	l	4240	3900
Empty weight	kg	4910	5185
Transmission	-	Torque converter	Torque converter
ENGINE			
Brand	-	DEUTZ	DEUTZ
Model	-	TCD 3.6 L4 HT	TCD 3.6 L4 HT
Power	kW	55,4	55,4
Operating speed	rpm	2200	2200
Torque	N-m@rpm	405@1300	405@1300
No. of cylinders	-	4	4
Emissions	-	Stage V	Stage V
Injection	-	Common Rail	Common Rail
Exhaust aftertreatment	-	DPF (Diesel particulate filter)	DPF (Diesel particulate filter)
Noise	dB(A)	100,6	100,6
DRIVING			
Max. speed	km/h	25	25
Maximum gradient	%	45	45
External turning radius	mm	6287	6287
Traction	-	4x4	4x4
Tyres	-	500/60-22.5	500/60-22.5
HYDRAULIC SYSTEM			
Hydraulic circuit	-	Double gear pump	Double gear pump
Flow rate	l/min	46	46
Working pressure	bar	180	180
TANK CAPACITY			
Fuel	l	69	69
Hydraulic system	l	60	60
BRAKES			
Service	-	Sealed brakes. Hydraulic drive	Sealed brakes. Hydraulic drive
Parking	-	Sealed brakes. Negative	Sealed brakes. Negative

DIMENSIONS



DIMENSIONS (mm)	D 1001 AP	D 1001 APG
A	4790	5020
B	2690	2690
C	2410	2410
D	1920	1920
E	1340	1340
F	485	485
G	410	410
H	3640 (3470*)	3640 (3470*)
I	2560	2560
J	4910	5140
K	270	1260
L	1770	1820
M	2520	3830
N	2420	2330
O	-	155
DIMENSIONS (°)		
P	81	75

* With closed cab



www.ausa.com

Products are subject to modifications without prior notice. Images throughout the spec sheet may refer to non-standard machines or non-available configurations depending on models.

AUSA's logo and corporate identity are property of the Company, they cannot be used without authorization.