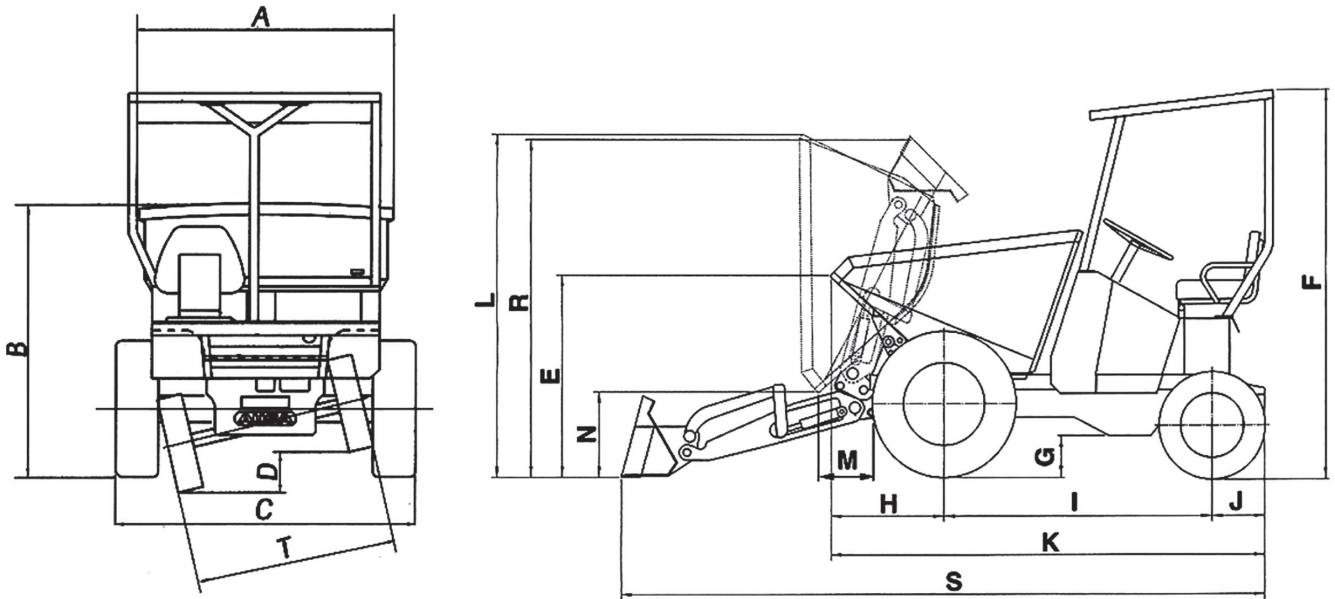




## TECHNICAL DATA

GENERAL		D 175 RMS	D 175 RMS x4
Unloading system		Frontal	Frontal
Load capacity	Kg	1750	1750
Chassis		Rigid	Rigid
Water hopper capacity	l	608	608
Level hopper capacity	l	868	868
Heaped hopper capacity	l	1047	1047
Empty weight	Kg	1230	1230
Transmission		Mechanical, 4-speed	Mechanical, 4-speed
<b>ENGINE</b>			
Brand		HATZ / KUBOTA	HATZ / KUBOTA
Model		1D90Z / D902-E4B	1D90Z / D902-E4B
Power	kW	10@2550 / 12,1@2400	10@2550 / 12,1@2400
Operating speed	rpm	2800 / 2770	2800 / 2770
Torque	Nm@rpm	- / 54,6@1900	- / 54,6@1900
No. of cylinders		1 / 3	1 / 3
Emissions		Stage V / Stage V - EPA Tier4	Stage V / Stage V - EPA Tier4
Noise	dB(A)	101	101
<b>DRIVING</b>			
Max. speed	Km/h	21/19	21/19
Maximum gradient	%	22 / 26	22 / 26
External turning radius	mm	3470	3620
Traction		4x2	4x4 FullGrip® System
Front tyres		7.50-16	7.50-16
Rear tires		145/80 R13	6.5/80x12
<b>HYDRAULIC SYSTEM</b>			
Flow rate	l/min	20/26.4	20/26.4
Working pressure	bar	120	120
<b>TANK CAPACITY</b>			
Fuel	l	13,5	13,5
Hydraulic system	l	16,5	16,5
<b>BRAKES</b>			
Service		Hydraulic drum brake on the front axle	Hydraulic drum brake on the front axle
Parking		Mechanical on the front axle	Mechanical on the front axle

## DIMENSIONS



DIMENSIONS (mm)	D 175 RMS	D 175 RMS x4
A	1560	1560
B	1310	1310
C	1560	1560
D	200	200
E	1100	1100
F	2095	2095
G	225	225
H	610	610
I	1440	1440
J	280	280
K	2330	2330
L	1855	1855
M	200	200
N	480	480
R	1793	1793
S	3464	3464
T	1225	1225



[www.ausa.com](http://www.ausa.com)

Products are subject to modifications without prior notice. Images throughout the spec sheet may refer to non-standard machines or non-available configurations depending on models.

AUSA's logo and corporate identity are property of the Company, they cannot be used without authorization.