



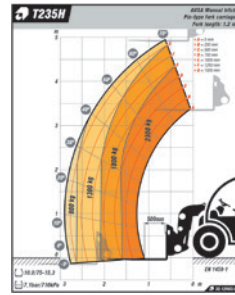
TECHNICAL DATA

GENERAL		T 235 H
Load capacity	Kg	2300
Load capacity at maximum height	Kg	1800
Maximum lift	mm	5000
Maximum lift under maximum load	mm	4300
Maximum reach	mm	2358
Maximum load at maximum reach	Kg	800
Unladen weight *	Kg	4650
Transmission	-	2-speed hydrostatic
ENGINE		
Make	-	KUBOTA
Model	-	D1803-CR-T-E5B
Power	kW	32
Torque	N·m@rpm	150,5@1500
No. cylinders	-	3
Emissions	-	Stage V, Tier 4f
Ambient noise	dB(A)	101
DRIVING		
Maximum speed	Km/h	24
Gradeability under full load	%	42
Traction	-	4x4x4
Front tyres	-	10/75-15.3
Rear tyres	-	10/75-15.3
HYDRAULIC SYSTEM		
Flow rate	l/min	56
Working pressure	bar	240
TANK CAPACITY		
Fuel	l	65
Hydraulic	l	70
BRAKES		
Service	-	Hydraulic - disc
Parking	-	Mechanical

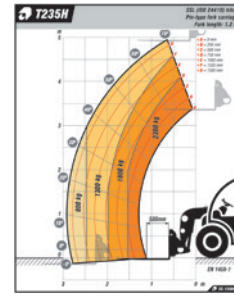
* It may change due to optional equipment

DIMENSIONS

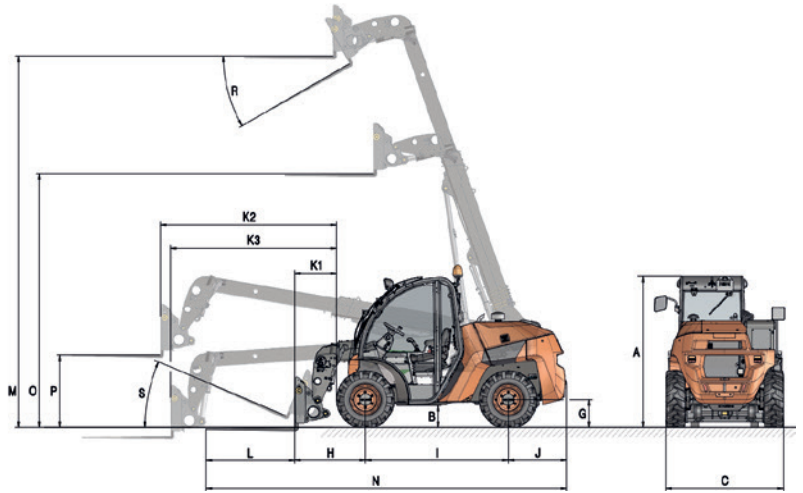
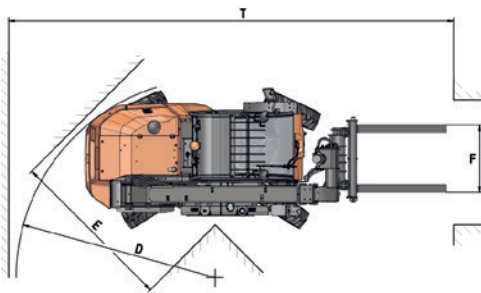
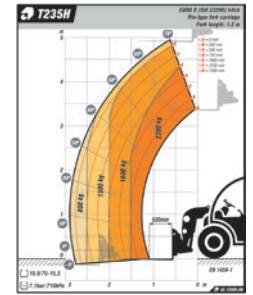
AUSA Carriage



Universal Carriage



EURO 8 Carriage



DIMENSIONS (mm)

T 235 H

A		2027	
B		300	
C		1590	
D		3042	
E		2468	
F		905	
G		375	
H		960	
I		1925	
J		790	
K	570	2350	2236
L		1200	
M		4300	
N		4880	
O		3409	
P		932	
T		5880	
DIMENSIONS (°)			
R		113°	
S		41°	

▲ 1

▲ 2

▲ 3



www.ausa.com

Products are subject to modifications without prior notice. Images throughout the spec sheet may refer to non-standard machines or non-available configurations depending on models.

AUSA's logo and corporate identity are property of the Company, they cannot be used without authorization.