



Telehandler

T 204 H



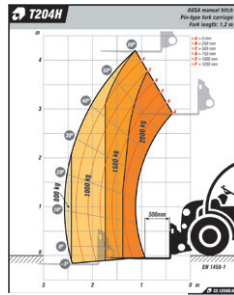
TECHNICAL DATA

GENERAL		T 204 H
Load capacity	Kg	2000
Load capacity at maximum height	Kg	2000
Maximum lift	mm	4200
Maximum lift under maximum load	mm	3750
Maximum reach	mm	2072
Maximum load at maximum reach	Kg	1000
Unladen weight *	Kg	4200
Transmission		2-speed hydrostatic
ENGINE		
Make		KUBOTA
Model		V-2403
Power	kW	36,5
Torque	Nm@rpm	160@1600
No. cylinders		4
Emissions		Stage IIIA - Tier 4i
Ambient noise	dB(A)	101
DRIVING		
Maximum speed	Km/h	24
Gradeability under full load	%	50
Traction		4x4x4
Front tyres		10/75-15.3
Rear tyres		10/75-15.3
HYDRAULIC SYSTEM		
Flow rate	l/min	56
Working pressure	bar	240
TANK CAPACITY		
Fuel	l	65
Hydraulic	l	70
BRAKES		
Service		Hydraulic - disc
Parking		Mechanical

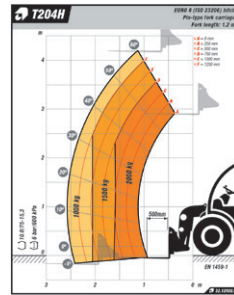
* It may change due to optional equipment

DIMENSIONS

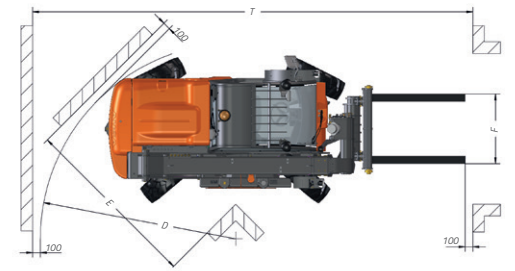
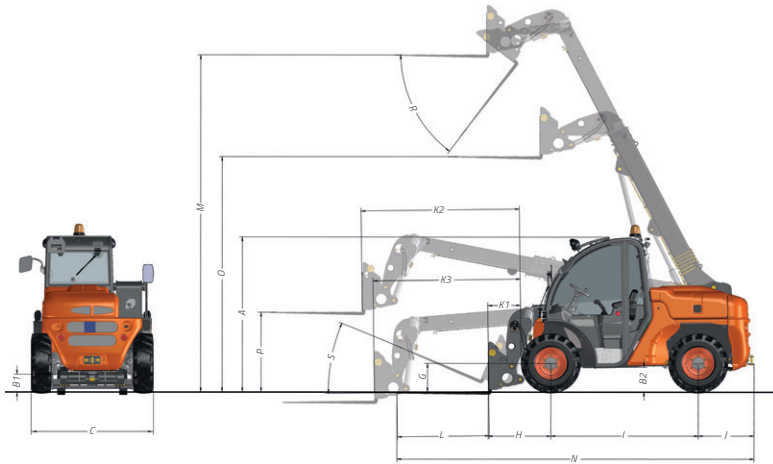
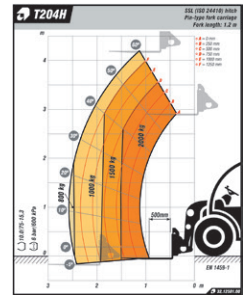
AUSA Carriage



Universal Carriage



EURO 8 Carriage



DIMENSIONS (mm)

T 204 H

A	2030
B1	231
B2	321
C	1590
D	2877
E	2316
F	1015
G	371
H	820
I	1926
J	730
K1	428
K2	2072
K3	1925
L	1200
M	4200
N	4670
O	3072
P	1039
T	5710
DIMENSIONS (°)	
R	52
S	23



www.ausa.com

Products are subject to modifications without prior notice. Images throughout the spec sheet may refer to non-standard machines or non-available configurations depending on models.

AUSA's logo and corporate identity are property of the Company, they cannot be used without authorization.