



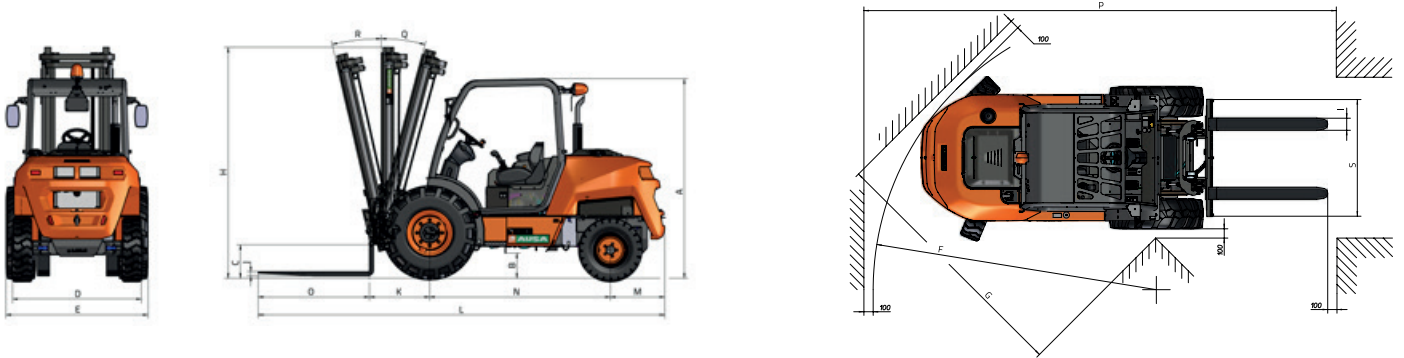
TECHNICAL DATA

GENERAL		C 201 H	C 201 H x4
Load capacity to 20"	lb	4,400	4,400
Load capacity to 24"	lb	4,000	4,000
Unladen weight *	lb	7,650	8,013
Transmission	-	Hydrostatic	Hydrostatic
MAST			
Fork carriage	-	FEM 2	FEM 2
Carriage width	in	49.6 / 65.3	49.6 / 65.3
ENGINE			
Make	-	KUBOTA	KUBOTA
Model	-	V1505-E4B	V1505-E4B
Power	hp	28.8	28.8
Operating speed	rpm	2,300	2,300
Torque	N·m@rpm	92.6@1700	92.6@1700
No. cylinders	-	4	4
Emissions	-	Stage V, EPA/CARB Tier 4	Stage V, EPA/CARB Tier 4
Ambient noise	dB(A)	103	103
DRIVING			
Max. speed	mph	10.5	10.5
Gradeability	%	25	40
Traction	-	4x2	4x4 FullGrip®
Front tires	-	12-16.5	12-16.5
Rear tires	-	7.00-12	27x8.5-15
HYDRAULIC SYSTEM			
Hydraulic circuit	gal/min	11.9	11.9
Working pressure	psi	2,683	2,683
TANK CAPACITY			
Fuel	gal	16.4	16.4
Hydraulic	gal	13.5	13.5
BRAKES			
Service	-	Hydraulic, multi-disc and sealed	Hydraulic, multi-disc and sealed
Parking	-	Negativ, multi-disc and sealed	Negativ, multi-disc and sealed

* It may change due to optional equipment

DIMENSIONS

TYPE OF MAST	Maximum lift (ft)	H		Free lift (in)	Load at maximum height (lb) All-terrain use	
		Retracted mast height (in)	Extended mast height (in)		Narrow axle	Wide axle
Duplex mast (Std.)	10.82	94.9	163.9	4.7	4,409	-
Triplex mast	12.14	81.5	181.7	44.4	3,968	-
Triplex mast	14.11	87.8	206.7	52.3	-	3,968
Triplex mast	17.71	102.7	248.8	66.1	-	2,425



DIMENSIONS (in)	C 201 H	C 201 H x4
A	82,28	82,28
B	8,27	8,27
C	12,20	12,20
D	54,72	58,66
E	59,84	59,84
E**	70,08	70,08
F	118,90	158,27
G	109,45	112,20
I	3,94	3,94
J	1,57	1,57
K	25,59	25,59
L	172,44	172,44
M	22,83	22,83
N	76,77	76,77
O	47,24	47,24
P	199,21	243,31
S	49,61	49,61
S***	62,99	62,99
DIMENSIONS (°)		
Q	14	14
R	11	11

** Measured with high-lift mast installed ***Measured for wide axle carriage



www.ausa.com

Products are subject to modifications without prior notice. Images throughout the spec sheet may refer to non-standard machines or non-available configurations depending on models.

AUSA's logo and corporate identity are property of the Company, they cannot be used without authorization.