



D 120 AHA
D 120 AHG

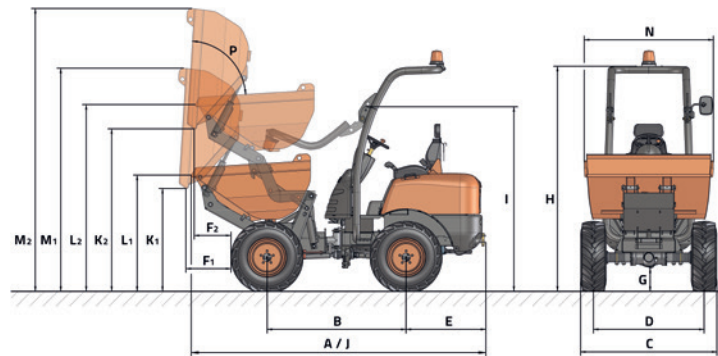


TECHNICAL DATA

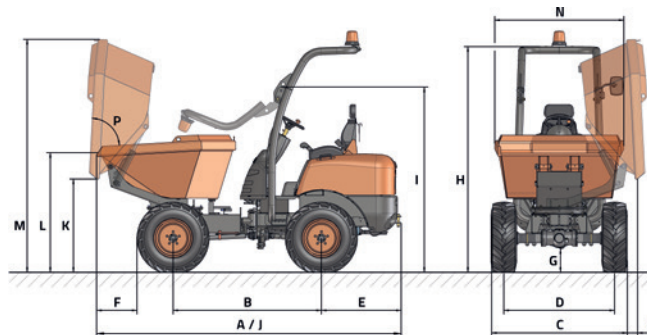
GENERAL		D120 AHA	D 120 AHG
Unloading system	-	High	Rotating
Load capacity	lb	2,600	2,600
Chassis	-	Articulated and oscillating	Articulated and oscillating
Water hopper capacity	cu yd	0.55	0.54
Level hopper capacity	cu yd	0.67	0.65
Heaped hopper capacity	cu yd	0.91	0.91
Empty weight	lb	3,031	3,031
Transmission	-	Hydrostatic	Hydrostatic
ENGINE			
Brand	-	KUBOTA	KUBOTA
Model	-	D1105-E4B	D1105-E4B
Power	hp	20.9	20.9
Operating speed	rpm	2400	2400
Torque	N-m@rpm	71.4@1600	71.4@1600
No. of cylinders	-	3	3
Emissions	-	EPA Tier 4, Stage V	EPA Tier 4, Stage V
Noise	dB(A)	101	101
DRIVING			
Max. speed	mph	10.6	10.6
Maximum gradient	%	48	48
External turning radius	in	123	121
Traction	-	4x4	4x4
Tyres	-	10.0/75-15.3"	10.0/75-15.3"
HYDRAULIC SYSTEM			
Hydraulic circuit	-	0.49 cu gear pump	0.49 cu gear pump
Flow rate	gal/min	4.56	4.56
Working pressure	psi	2,610	2,610
TANK CAPACITY			
Fuel	gal	6.1	6.1
Hydraulic system	gal	5.6	5.6
BRAKES			
Service	-	Sealed brakes. Mechanical drive	Sealed brakes. Mechanical drive
Parking	-	Sealed brakes. Mechanical drive	Sealed brakes. Mechanical drive

DIMENSIONS

D 120 AHA



D 120 AHG



DIMENSIONS (in)	D 120 AHA		D 120 AHG
A	126.0		126.0
B	59.1		59.1
C	38.6		47.6
D	32.1		36.4
E	33.9		33.9
F	18.1	16.5	18.1
G	9.8		9.8
H	96.1		96.1
I	78.7		78.7
J	126.0		126.0
K	39.0	68.9	39.4
L	50.0	79.5	50.0
M	90.6	120.1	94.5
N	47.2		47.2
O	-		10.2
DIMENSIONS (°)			
P	83		83

1 ▲ | ▲ 2



www.ausa.com

Products are subject to modifications without prior notice. Images throughout the spec sheet may refer to non-standard machines or non-available configurations depending on models.

AUSA's logo and corporate identity are property of the Company, they cannot be used without authorization.