



Articulated Dumper

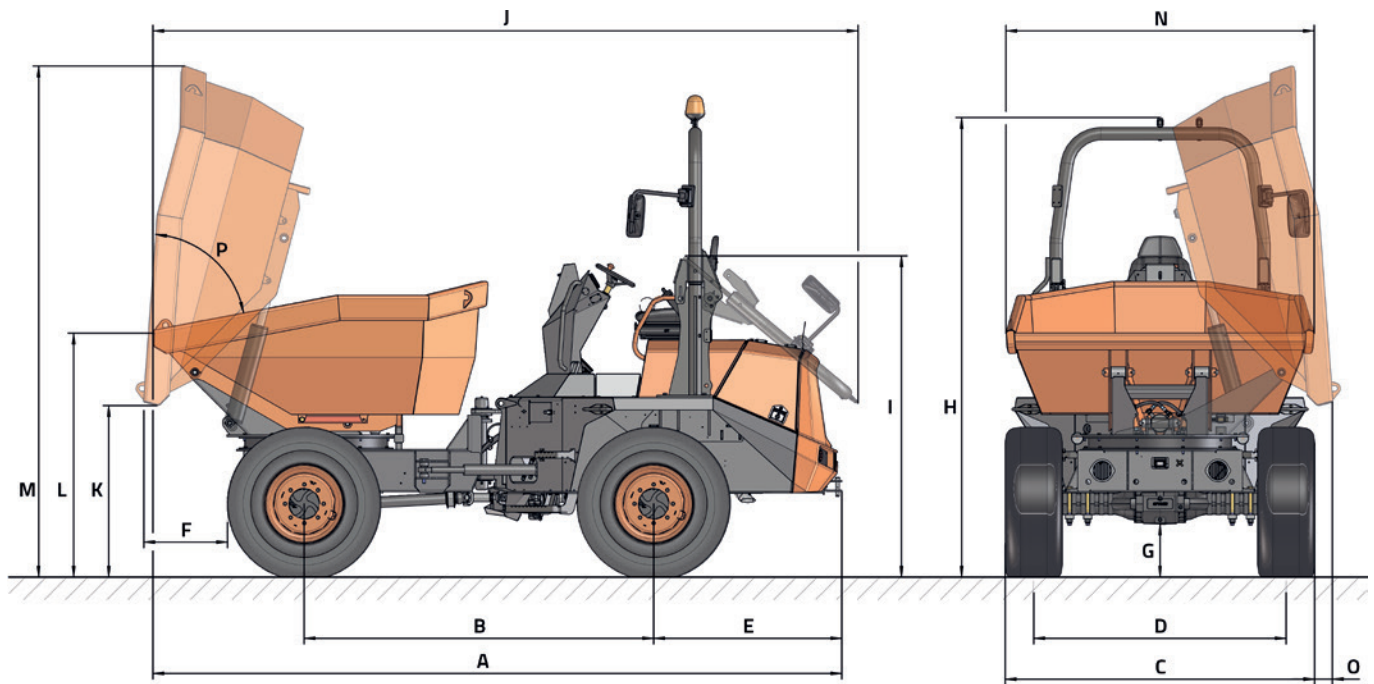
D 601 AP D 601 APG



TECHNICAL DATA

GENERAL		D 601 AP	D 601 APG
Unloading system	-	Frontal	Rotating
Load capacity	lb	13,200	13,200
Chassis	-	Articulated and oscillating	Articulated and oscillating
Water hopper capacity	cu yd	2.47	2.18
Level hopper capacity	cu yd	3.46	3.21
Heaped hopper capacity	cu yd	4.16	4.12
Empty weight	lb	9,900	10,353
Transmission	-	Torque converter	Torque converter
ENGINE			
Brand	-	DEUTZ	DEUTZ
Model	-	TD3.6	TD3.6 L4
Power	hp	74.3	74.3
Operating speed	rpm	2,200	2,200
Torque	N-m@rpm	330@1600	340@1500
No. of cylinders	-	4	4
Emissions	-	EPA Tier 4f, Stage IIIB	Tier 4f, Stage V
Injection	-	Common Rail	Common Rail
Exhaust aftertreatment	-	DOC (Diesel oxidation catalyst)	DPF (Diesel particulate filter)
Noise	dB(A)	101	101
DRIVING			
Max. speed	mph	17.2	17.2
Maximum gradient	%	45	45
External turning radius	in	230	232
Traction	-	4x4	4x4
Tyres	-	405/70-20"	405/70-20"
HYDRAULIC SYSTEM			
Hydraulic circuit	-	1.40 cu in gear pump	1.40 cu in gear pump
Flow rate	gal/min	12.1	12.1
Working pressure	psi	2,611	2,611
TANK CAPACITY			
Fuel	gal	18.2	18.2
Hydraulic system	gal	15.8	15.8
BRAKES			
Service	-	Sealed brakes with multiple discs in oil. Hydraulic drive	Sealed brakes with multiple discs in oil. Hydraulic drive
Parking	-	Negative. Electrohydraulic disengage	Negative. Electrohydraulic disengage

DIMENSIONS



DIMENSIONS (in)	D 601 AP	D 601 APG
A	183.9	193.3
B	98.0	98.0
C	87.0	87.0
D	70.9	70.9
E	52.8	52.8
F	28.9	22.8
G	15.0	15.0
H	129.1	129.1
I	88.2	90.2
J	194.9	198.0
K	16.5	48.0
L	68.9	68.5
M	98.0	143.3
N	85.0	86.6
O	-	4.3
DIMENSIONS (°)		
P	78	75



www.ausa.com

Products are subject to modifications without prior notice. Images throughout the spec sheet may refer to non-standard machines or non-available configurations depending on models.

AUSA's logo and corporate identity are property of the Company, they cannot be used without authorization.