



Articulated Dumper

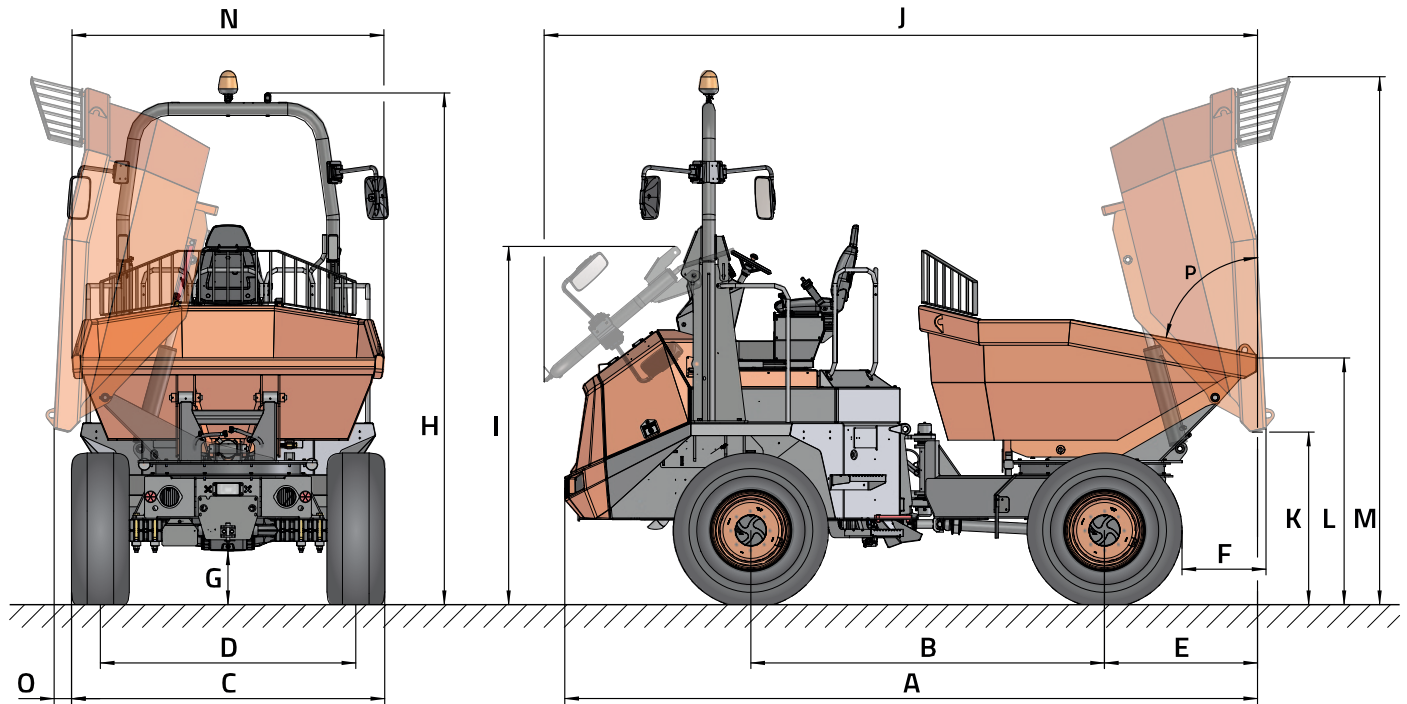
DR 1001 AHG



TECHNICAL DATA

GENERAL		DR 1001 AHG
Unloading system	-	Rotating
Load capacity	lb	22,000
Chassis	-	Articulated and oscillating
Water hopper capacity	cu yd	2.42
Level hopper capacity	cu yd	4.32
Heaped hopper capacity	cu yd	5.10
Empty weight	lb	11,133
Transmission	-	Hydrostatic
ENGINE		
Brand	-	DEUTZ
Model	-	TCD3.6 L4 HT
Power	hp	74.3
Operating speed	rpm	2,200
Torque	N·m@rpm	390@1,300
No. of cylinders	-	4
Emissions	-	Tier 4
Injection	-	Common Rail and electronic management
Exhaust aftertreatment	-	DOC (Diesel oxidation catalyst)
Noise	dB(A)	101
DRIVING		
Max. speed	mph	13.7
Maximum gradient	%	45
External turning radius	in	247.5
Traction	-	4x4
Tyres	-	500/60-22.5
HYDRAULIC SYSTEM		
Hydraulic circuit	-	Double gear pump
Flow rate	gal/min	13.2
Working pressure	psi	2,610
TANK CAPACITY		
Fuel	gal	18.2
Hydraulic system	gal	15.8
BRAKES		
Service	-	Sealed. Hydraulic drive
Parking	-	Negative brake and electro-hydraulic release

DIMENSIONS



DIMENSIONS (in)	DR 1001 AHG
A	197.6
B	105.9
C	94.9
D	75.6
E	39
F	19.1
G	16.1
H	143.3 (133.1*)
I	100.8
J	202.4
K	49.6
L	71.7
M	155.1
N	91.7
O	6.1
DIMENSIONS (°)	
P	75

* With closed cab



www.ausa.com

Products are subject to modifications without prior notice. Images throughout the spec sheet may refer to non-standard machines or non-available configurations depending on models.

AUSA's logo and corporate identity are property of the Company, they cannot be used without authorization.