



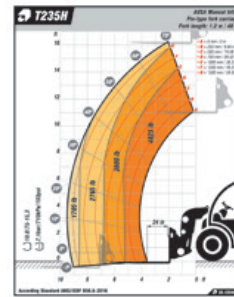
TECHNICAL DATA

GENERAL		T 235 H
Load capacity	lb	5,000
Load capacity at maximum height	lb	3,970
Maximum height	ft	16.4
Maximum lift under maximum load	ft	14.11
Maximum reach	ft	7.74
Maximum load at maximum reach	lb	1,764
Unladen weight *	lb	10,360
Transmission	-	2-speed hydrostatic
ENGINE		
Make	-	KUBOTA
Model	-	D1803-CR-T-E5B
Power	hp	44.5
Torque	Nm@rpm	105.5@1,500
No. cylinders	-	3
Emissions	-	Tier 4f, Stage V
Ambient noise	dB(A)	101
DRIVING		
Maximum speed	mph	14.9
Gradeability under full load	%	44
Traction	-	4x4x4
Front tyres	-	10/75-15.3
Rear tyres	-	10/75-15.3
HYDRAULIC SYSTEM		
Flow rate	gal/min	13.68 / 4.56
Working pressure	psi	3,481
TANK CAPACITY		
Fuel	gal	17.2
Hydraulic	gal	18.5
BRAKES		
Service	-	Hydraulic - Disc
Parking	-	Mechanical

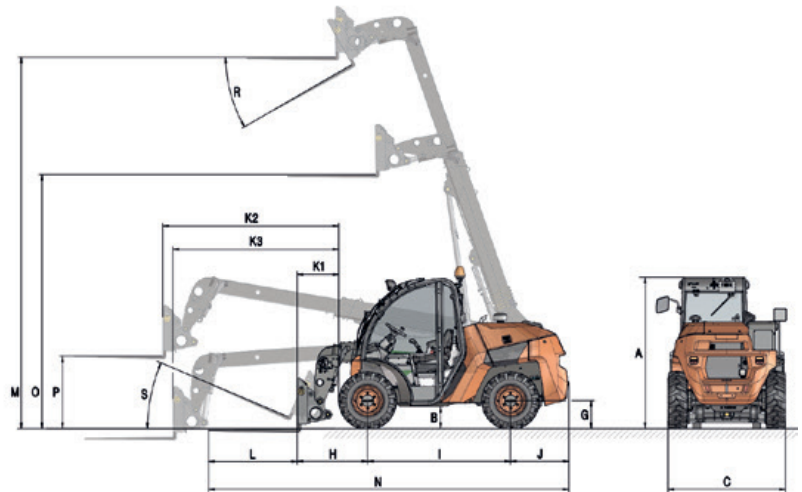
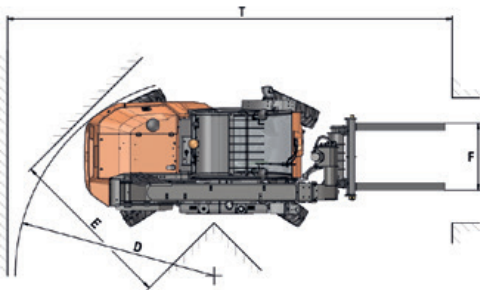
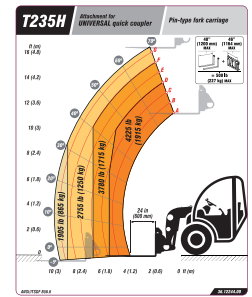
* It may change due to optional equipment

DIMENSIONS

AUSA Carriage



Universal Carriage



DIMENSIONS (in)

T 235 H

A		79.92	
B		11.81	
C		62.60	
D		119.76	
E		97.17	
F		35.63	
G		14.76	
H		37.80	
I		75.79	
J		31.10	
K	22.44	92.52	88.03
L		47.24	
M		169.29	
N		192.13	
O		134.21	
P		36.69	
T		231.50	
R		113	
S		41	

▲ 1

▲ 2

▲ 3



www.ausa.com

Products are subject to modifications without prior notice. Images throughout the spec sheet may refer to non-standard machines or non-available configurations depending on models.

AUSA's logo and corporate identity are property of the Company, they cannot be used without authorization.