

ARTICULATED DUMPERS

From 2,200 to 22,000 lb payload. Tough, compact and efficient





2,200, 2,600, 3,300 lb
From 0.74 to 1.18 cu yd heaped hopper capacity

4

- D100AHA | D100AHG
- D120AHA | D120AHG
- D150AHA | D150AHG



6,600, 7,700 lb
From 2.28 to 2.79 cu yd heaped hopper capacity

8

- D301AHG
- D350AHG



13,200, 22,000 lb
From 4.13 to 5.10 cu yd heaped hopper capacity

12

- D601AHG | D601AP | D601APG
- D1001APG



13,200, 22,000 lb - REVERSIBLES
From 4.13 to 5.10 cu yd heaped hopper capacity

16

- DR601AHG
- DR1001AHG



3,300 lb ELECTRIC
1.18 cu yd heaped hopper capacity

20

- D151AEG

AUSAnow **24**

Technical data **26**

Dimensions **32**

Equipment **34**

Images throughout the catalog may refer to non-standard machines. Products are subject to modifications without prior notice.

ARTICULATED DUMPERS

2,200 - 2,600 - 3,300 lb

AUSA's most compact range of dumpers, available with three different payloads and they can be configured with a high-tipping skip or a swing skip.

These models are perfect for municipal works, landscaping projects, small demolitions, or any applications that require highly maneuverable vehicles that are extremely compact in size.

Thanks to their permanent 4WD, they can handle narrow terrain and steep slopes.



FEATURED EQUIPMENT

Folding ROPS for ease of transportation. **Spacious driver's position** for comfortable and safe handling. **Rotating beacon** for increased visibility on the jobsite. **Hydrostatic transmission** to ensure smooth and safe operation for the user. **Easy-to-access components** to reduce downtime for maintenance. **Ergonomic joystick** that controls the movements of the skip and the transmission. **Axles with final epicyclic gearing** that provides improved traction.



D100AHA 2,200 lb
UNLOADING SYSTEM HIGH
POWER 20.9 hp WIDTH 43.3 in TRANSMISSION HYDROSTATIC



D100AHA COMPACT 2,200 lb
UNLOADING SYSTEM HIGH
POWER 20.9 hp WIDTH 39.4 in TRANSMISSION HYDROSTATIC



D100AHG 2,200 lb
UNLOADING SYSTEM ROTATING
POWER 20.9 hp WIDTH 43.3 in TRANSMISSION HYDROSTATIC



D120AHA 2,600 lb
UNLOADING SYSTEM HIGH
POWER 20.9 hp WIDTH 47.6 in TRANSMISSION HYDROSTATIC



D120AHG 2,600 lb
UNLOADING SYSTEM ROTATING
POWER 20.9 hp WIDTH 47.6 in TRANSMISSION HYDROSTATIC



D150AHA 3,300 lb
UNLOADING SYSTEM HIGH
POWER 20.9 hp WIDTH 58.3 in TRANSMISSION HYDROSTATIC



D150AHG 3,300 lb
UNLOADING SYSTEM ROTATING
POWER 20.9 hp WIDTH 58.3 in TRANSMISSION HYDROSTATIC



ARTICULATED DUMPERS

6,600 - 7,700 lb

Dumpers designed for major earthworks in urban and intercity environments settings or in private residential areas. They have an excellent power-to-weight ratio, making them maneuverable and allowing them to easily tackle with steep slopes.

All components have been designed to ensure quick and simple maintenance with minimal downtime.



FEATURED EQUIPMENT

Folding ROPS for ease of transportation. **Spacious driver's position** for comfortable and safe handling. **Hydrostatic transmission** to ensure smooth and safe operation for the user. **Easy-to-access components** to reduce downtime for maintenance. **Ergonomic joystick** that controls the movements of the skip and the transmission. **Seat belt with a buckle sensor and seat with presence sensor** to prevent the machine from being used without following the minimum safety procedures. **Negative brake** which is automatically engaged when the engine is turned off.



D301AHG 6,600 lb
UNLOADING SYSTEM ROTATING
POWER 24.8 hp WIDTH 68.9 in TRANSMISSION HYDROSTATIC



D350AHG 7,700 lb
UNLOADING SYSTEM ROTATING
POWER 44 hp WIDTH 72.8 in TRANSMISSION HYDROSTATIC



ARTICULATED DUMPERS

13,200 - 22,000 lb

Our range of dumpers with the highest payloads are designed for large-scale earthworks, especially on intercity construction sites and in open spaces. These are powerful and robust models that are equipped with the latest technology to minimize fuel consumption.

They also have a digital display in the driver's cab which provides all of the machine's real-time information, allowing you to run self-diagnostics without the need for any external tools.



FEATURED EQUIPMENT

Digital screen to access machine information and on board diagnostics. **Smart Stop** (optional), which switches off the machine's engine when it is not in use, to reduce running cost. **Easy-to-access internal components** to reduce costs and facilitate maintenance. **The limited-slip differential** on both axles offers market-leading off-road drive capabilities. **Seat belt with a buckle sensor and seat with presence sensor** to prevent the machine from being used without following the minimum safety procedures. **Negative brake** which is automatically engaged when the engine is turned off. **Camera with 360 degree vision** on the skip.



D601AHG 13,200 lb
UNLOADING SYSTEM ROTATING
POWER 74.3 hp **WIDTH** 87 in **TRANSMISSION** HYDROSTATIC



D601AP 13,200 lb
UNLOADING SYSTEM FRONTAL
POWER 74.3 hp **WIDTH** 87 in **TRANSMISSION** TORQUE CONVERTER



D601APG 13,200 lb
UNLOADING SYSTEM ROTATING
POWER 74.3 hp **WIDTH** 87 in **TRANSMISSION** TORQUE CONVERTER



D1001APG 22,000 lb
UNLOADING SYSTEM ROTATING
POWER 74.3 hp **WIDTH** 94.9 in **TRANSMISSION** TORQUE CONVERTER

REVERSIBLE DUMPERS

13,200 - 22,000 lb

The reversible design allows the entire driver's cab to turn 180°: seat, steering wheel, pedals, joystick...giving the operator a clear view of their surroundings at all times. This system also allows you to always use front-wheel drive, thus reducing the number of maneuvers and increasing load-moving speed.

AUSA's reversible dumpers are equipped with the latest technology to reduce fuel consumption and improve the safety of the operator and area around them.

FEATURED EQUIPMENT

Access to the driving position on both sides of the machine. **ECO Mode** to automatically regulate the RPM to ensure low consumption and reduced maintenance costs. **Digital screen** with all of the information about the machine and self-diagnostics. **Hill holder**, which keeps the machine stationary on any slope, without putting your foot on the brake. **The limited-slip differential** on both axles offers market-leading off road drive capabilities. **Smart Stop**, which switches off the machine's engine when it is not in use, to make it more cost-effective. **Negative brake** which is automatically engaged when the engine is turned off. **Camera with 360 degree vision** on the skip.





DR601AHG 13,200 lb
UNLOADING SYSTEM ROTATING
POWER 74.3 hp WIDTH 87 in TRANSMISSION HYDROSTATIC



DR1001AHG 22,000 lb
UNLOADING SYSTEM ROTATING
POWER 74.3 hp WIDTH 94.9 in TRANSMISSION HYDROSTATIC

ELECTRIC DUMPER

3,300 lb

Electric power for the whole day. The D151AEG dumper is designed to deliver a full day work on a single charge.

And whenever necessary, it can be connected directly to the mains via a single-phase or three-phase socket. It also features a fast charger.

Thanks to its minimal noise emissions, it can be used in more applications than a traditional dumper, as well as overnight in residential or noise-restricted areas.

Also, with permanent 4WD, this powerful dumper can tackle the most challenging terrain.



FEATURED EQUIPMENT

Charging cable in the vehicle, so it can be plugged in at any time. **Folding ROPS roll bar** to make it easier to transport. **Driving position with plenty of space** for comfortable and safe driving. **Digital screen** to access machine information and on board diagnostics. **Hill holder**, which keeps the machine stationary on any slope, without putting your foot on the brake. **Easy-to-access components** to reduce downtime for maintenance. **Ergonomic joystick** that controls the skip movements and the transmission. **Seat belt with a buckle sensor and seat with presence sensor** to prevent the machine from being used without following the minimum safety procedures. **Negative brake** that is applied automatically when the motor stops. **Energy recovery system** that increases the battery range.



Battery capacity
Up to 12.4 kWh

Charging from
20 to 80%
2 h*

Battery type
Li-Ion



D151AEG 3,300 lb
UNLOADING SYSTEM ROTATING
POWER 23.2 hp WIDTH 58.3 in TRANSMISSION ELECTRIC

** Subject to environmental conditions and to the kind and power of charging station.*

All AUSA dumpers can be equipped with AUSAnow, the software used to remotely control machines, providing you with all real-time information.



Control your fleet of machines

From your office or with your mobile phone. Control all of your AUSA machines in real time. With AUSAnow you can anticipate any faults and maintenance, to reduce downtime.



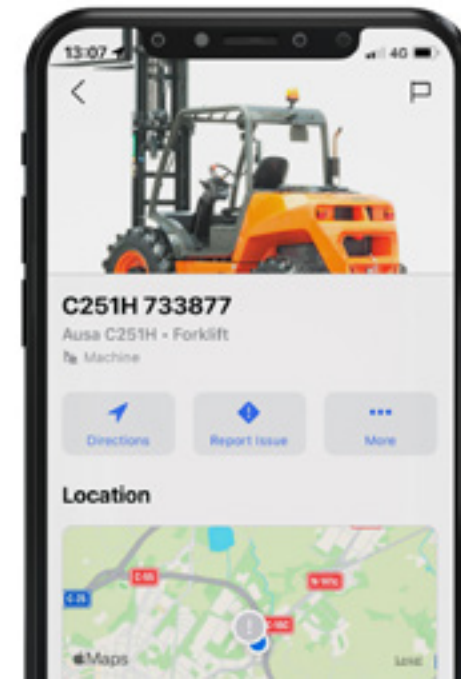
Get information and make decisions

View or create your own personalised charts to obtain in-depth information about the operation of your machines and make decisions that are based on analytical information.



Connect security alarms

Establish a schedule and security perimeter. If one of your machines is moved outside the established area, AUSAnow will alert you straight away so that you can deal with it.



Data, data and more data

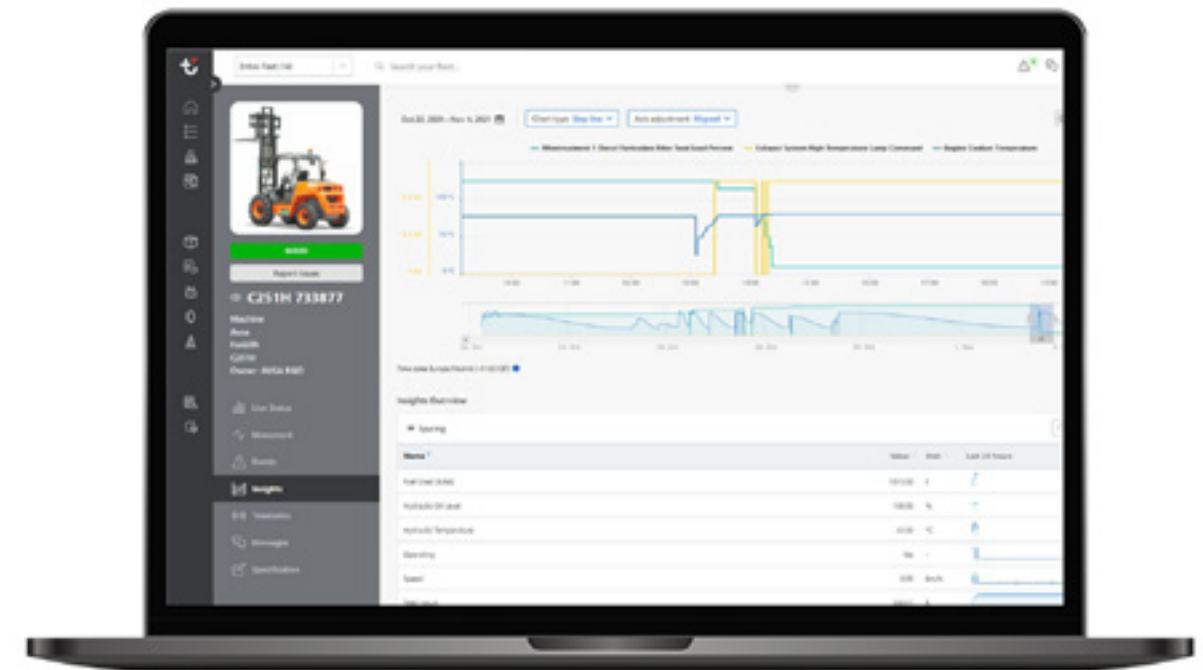
AUSAnow allows you to obtain advanced real-time information about your machine fleet. View advanced charts for customized time periods based on the parameters set by you.



Reduce downtime

AUSAnow connects you to your dealer or rental company, so that any appropriate maintenance can be performed. If you have a problem, AUSAnow provides you with a direct channel of communication with your machine vendor, so that it can be resolved as quickly as possible.

- Preventive alerts
- Attach images



Alarms for your peace of mind

Activate AUSA's recommended maintenance alerts and keep your machines in optimal condition. And, for your security, you can program geofences and receive alerts if they go outside the established boundaries.

- Customize a schedule
- Set a perimeter

TECHNICAL DATA

TECHNICAL DATA

		D151AEG	D100AHA / COMPACT
GENERAL			
	UNIT		
Unloading system	-	Rotating	High
Load capacity	lb	3,300	2,200
Chassis	-	Articulated	Articulated
Water hopper capacity	cu yd	0.68	0.45
Level hopper capacity	cu yd	0.82	0.52
Heaped hopper capacity	cu yd	1.18	0.74
Empty weight *	lb	3,450	2,866
Transmission	-	Electric	Hydrostatic
Reversibility	-	No	No
ENGINE			
Brand / Model	-	-	KUBOTA D1105-E4B
Power	hp	-	20.9
Peak/Nominal power	hp	23.2 / 10.2	-
Operating speed	rpm	-	2,400
Peak torque	N.m	130	71.4@1,600
No. of cylinders	-	-	3
Emissions	-	Zero emissions	Tier 4
Noise	dB(A)	-	101
DRIVING			
Max. speed	mph	9.3	9.3
Maximum gradient	%	35	38
External turning radius	in	133.4	120.5
Traction	-	4WD	4WD
Tires	-	10.0/75-15.3	27x8.5-15 / 6.5/80-12
HYDRAULIC SYSTEM			
Hydraulic circuit	-	0.74 cu in. Gear pump	0.49 cu in. Gear pump
Flow rate	gal/min	4.7	4.5
Working pressure	psi	2,465	2,610
TANK CAPACITY			
Fuel	gal	-	6.1
Hydraulic system	gal	6.5	5.6
BRAKES			
Service	-	Sealed. Hydraulic drive	Sealed. Mechanical drive
Parking	-	Negative brake and electro-hydraulic release	Mechanical drive
BATTERY			
Battery type	-	Lithium-Ion Battery (NCM)	-
Gross capacity	kWhV	9.3	-
System voltage	-	48	-
Autonomy	-	One intense shift ***	-
CHARGE			
Charger	-	Integrated	-
Charging time 20-80%	-	2h (@230V) **	-
Charging time 20-80% (external fast charger)	-	1h 24min (@415V) **	-
Charging cable plug type	-	16A 110V (yellow); 16A 230V (blue); 16A 415V (red)	-

		D100AHG	D120AHA	D120AHG
		Rotating	High	Rotating
		2,200	2,600	2,600
			Articulated	
		0.43	0.56	0.54
		0.51	0.67	0.65
		0.71	0.92	0.91
		2,866	3,031	3,031
			Hydrostatic	
			No	
			KUBOTA D1105-E4B	
			20.9	
			-	
			2,400	
			71.4@1,600	
			3	
			Tier 4	
			101	
		9.3	10.5	10.5
		38	48	48
		119.5	123	121.8
		4WD	4WD	4WD
		27x8.5-15	10.0/75-15.3	10.0/75-15.3
			0.49 cu in. Gear pump	
			4.5	
			2,610	
		6.1	6.1	6.1
		5.6	5.6	5.6
			Sealed. Mechanical drive	
			Mechanical drive	
			-	
			-	
			-	
			-	
			-	
			-	

* It may change due to optional equipment. ** Subject to environmental conditions and to the kind and power of charging station. *** Subject to environmental conditions and the kind of use. For temperatures under 32°F it is recommended to fit the Long Range pack.

TECHNICAL DATA

TECHNICAL DATA

		D150AHA	D150AHG
GENERAL			
Unloading system	-	High	Rotating
Load capacity	lb	3,300	3,300
Chassis	-	Articulated	
Water hopper capacity	cu yd	0.79	0.68
Level hopper capacity	cu yd	0.89	0.82
Heaped hopper capacity	cu yd	1.10	1.18
Empty weight	lb	3,329	3,329
Transmission	-	Hydrostatic	
Reversibility	-	No	
ENGINE			
Brand / Model	-	KUBOTA D1105-E4B	
Power	hp	20.9	
Operating speed	rpm	2,400	
Torque	N-m	71.4@1,600	
No. of cylinders	-	3	
Emissions	-	Tier 4	
Injection	-	Mechanical pump	
Exhaust aftertreatment	-	-	
Noise	dB(A)	101	
DRIVING			
Max. speed	mph	8.7	8.7
Maximum gradient	%	40	40
External turning radius	in	128.3	128.3
Traction	-	4WD	4WD
Tires	-	10.0/75-15.3	10.0/75-15.3
HYDRAULIC SYSTEM			
Hydraulic circuit	-	0.49 cu in. Gear pump	
Flow rate	gal/min	4.5	4.5
Working pressure	psi	2,610	2,610
TANK CAPACITY			
Fuel	gal	6.1	6.1
Hydraulic system	gal	5.6	5.6
BRAKES			
Service	-	Sealed. Mechanical drive	
Parking	-	Mechanical drive	

		D301AHG	D350AHG	D601AHG
GENERAL				
Unloading system	-		Rotating	
Load capacity	lb	6,600	7,700	13,200
Chassis	-	Articulated		
Water hopper capacity	cu yd	1.28	1.33	2.18
Level hopper capacity	cu yd	1.72	2.34	3.21
Heaped hopper capacity	cu yd	2.28	2.79	4.13
Empty weight	lb	5,070	6,241	9,898
Transmission	-	Hydrostatic		
Reversibility	-	No		
ENGINE				
Brand / Model	-	KUBOTA V1505-E4B	KUBOTA D1803-CR-T-E5B	DEUTZ TD3.6 L4
Power	hp	24.8	44	74.3
Operating speed	rpm	2,300	2,400	2,200
Torque	N-m	92.6@1,700	150.5@1,500	330@1,600
No. of cylinders	-	4	3	4
Emissions	-	Tier 4	Tier 4f	Tier 4f
Injection	-	Mechanical pump	Common Rail and electronic management	Common Rail
Exhaust aftertreatment	-	-	DPF (Diesel particulate filter)	DOC (Diesel oxidation catalyst)
Noise	dB(A)	101	101	101
DRIVING				
Max. speed	mph	12.4	11.8	15.5
Maximum gradient	%	50	54	45
External turning radius	in	155.7	177.7	232.3
Traction	-	4WD	4WD	4WD
Tires	-	11.5/80-15.3	11.5/80-15.3	405/70-20
HYDRAULIC SYSTEM				
Hydraulic circuit	-	0.73 cu in. Gear pump		1.5-1.4 cu in. Two gear pump
Flow rate	gal/min	6.6	7	13.2
Working pressure	psi	2,538	2,465	2,610
TANK CAPACITY				
Fuel	gal	9.9	11.6	18.2
Hydraulic system	gal	9.9	10.5	15.8
BRAKES				
Service	-	Sealed. Hydraulic drive		
Parking	-	Negative brake and electro-hydraulic release		

TECHNICAL DATA

TECHNICAL DATA

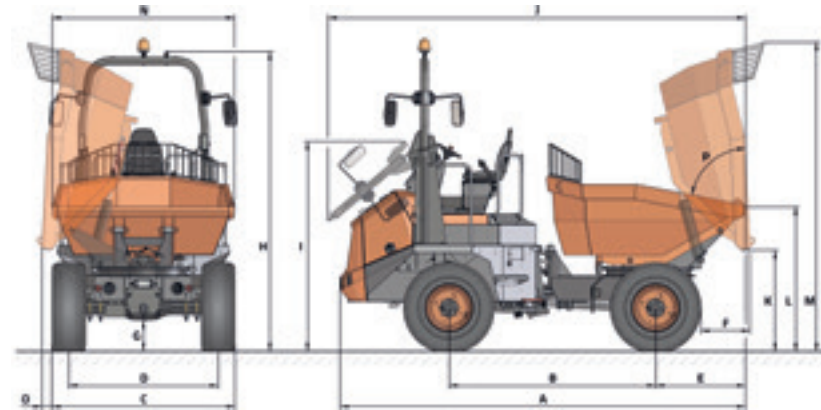
		D601AP	D601APG
GENERAL			
Unloading system	-	Frontal	Rotating
Load capacity	lb	13,200	13,200
Chassis	-	Articulated	
Water hopper capacity	cu yd	2.47	2.18
Level hopper capacity	cu yd	3.46	3.21
Heaped hopper capacity	cu yd	4.16	4.13
Empty weight	lb	9,900	10,353
Transmission	-	Torque converter	
Reversibility	-	No	
ENGINE			
Brand / Model	-	DEUTZ TD3.6 L4	
Power	hp	74.3	
Operating speed	rpm	2,200	
Torque	N-m	330@1,600	
No. of cylinders	-	4	
Emissions	-	Tier 4f	
Injection	-	Common Rail	
Exhaust aftertreatment	-	DOC (Diesel oxidation catalyst)	
Noise	dB(A)	101	
DRIVING			
Max. speed	mph	15.5	15.5
Maximum gradient	%	45	45
External turning radius	in	232.3	232.3
Traction	-	4WD	4WD
Tires	-	405/70-20	405/70-20
HYDRAULIC SYSTEM			
Hydraulic circuit	-	1.4-1.4 cu in. Two gear pump	
Flow rate	gal/min	12.1	12.1
Working pressure	psi	2,610	2,610
TANK CAPACITY			
Fuel	gal	18.2	18.2
Hydraulic system	gal	15.8	15.8
BRAKES			
Service	-	Sealed. Hydraulic drive	
Parking	-	Negative brake and electro-hydraulic release	

		D1001APG	DR601AHG	DR1001AHG
GENERAL				
Unloading system	-		Rotating	
Load capacity	lb	22,000	13,200	22,000
Chassis	-	Articulated		
Water hopper capacity	cu yd	2.42	2.18	2.42
Level hopper capacity	cu yd	4.32	3.21	4.32
Heaped hopper capacity	cu yd	5.10	4.13	5.10
Empty weight	lb	11,431	10,648	11,133
Transmission	-	Torque converter	Hydrostatic	
Reversibility	-	No	Yes	
ENGINE				
Brand / Model	-	DEUTZ TCD3.6 L4 HT	DEUTZ TD3.6 L4	DEUTZ TCD3.6 L4 HT
Power	hp	74.3	74.3	74.3
Operating speed	rpm	2,200	2,200	2,200
Torque	N-m	390@1,300	330@1,600	390@1,300
No. of cylinders	-	4	4	4
Emissions	-	Tier 4f	Tier 4	Tier 4
Injection	-	Common Rail	Common Rail and electronic management	Common Rail and electronic management
Exhaust aftertreatment	-	DOC (Diesel oxidation catalyst)	DOC (Diesel oxidation catalyst)	DOC (Diesel oxidation catalyst)
Noise	dB(A)	101	101	101
DRIVING				
Max. speed	mph	15.5	15.5	13.7
Maximum gradient	%	45	45	45
External turning radius	in	247.5	232.3	247.5
Traction	-	4WD	4WD	4WD
Tires	-	500/60-22.5	405/70-20	500/60-22.5
HYDRAULIC SYSTEM				
Hydraulic circuit	-	1.4-1.4 cu in. Two gear pump	1.5-1.4 cu in. Two gear pump	
Flow rate	gal/min	12.1	13.2	13.2
Working pressure	psi	2,610	2,610	2,610
TANK CAPACITY				
Fuel	gal	18.2	18.2	18.2
Hydraulic system	gal	15.8	15.8	15.8
BRAKES				
Service	-	Sealed. Hydraulic drive		
Parking	-	Negative brake and electro-hydraulic release		

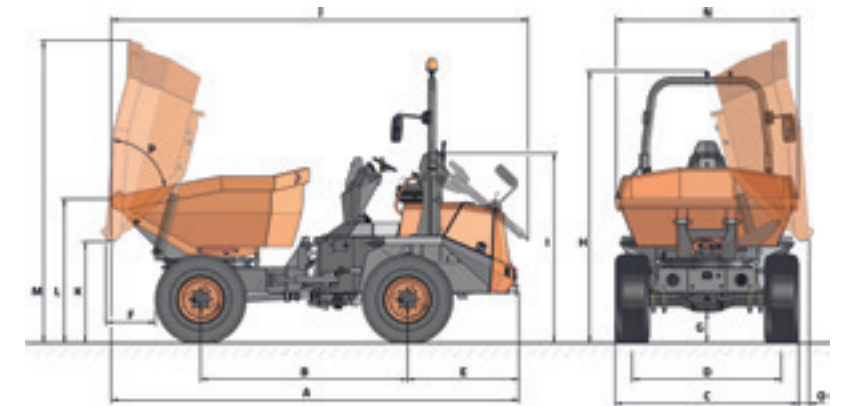
DIMENSIONS

DIMENSIONS

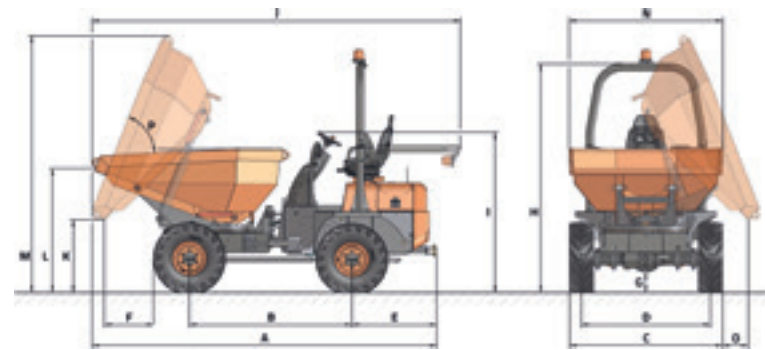
DR601AHG / DR1001AHG



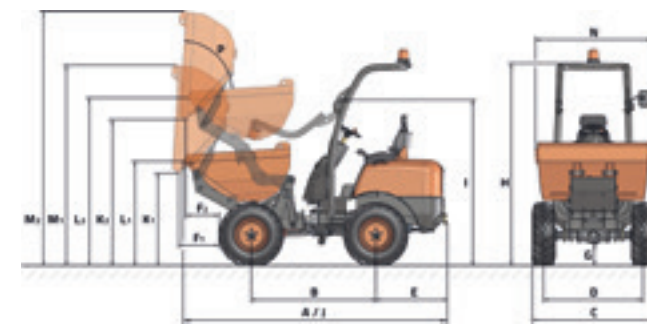
D601AHG / D601APG / D1001APG



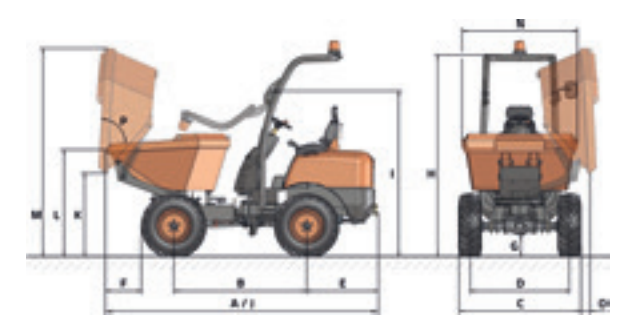
D301AHG / D350AHG



D100AHA / D120AHA / D150AHA



D151AEG / D100AHG / D120AHG / D150AHG



	D151AEG	D100AHA		D100AHA COMPACT		D100AHG	D120AHA		D120AHG	D150AHA	
DIMENSIONS (in)											
A	132.3	126	126	126	126	126	126	126	126	126	126
B	65	59.1	59.1	59.1	59.1	59.1	59.1	59.1	59.1	59.1	59.1
C	58.3	43.3	39	43.3	47.6	47.6	47.6	47.6	47.6	58.3	58.3
D	47	34.1	32.1	34.1	36.4	36.4	36.4	36.4	36.4	47	47
E	34.8	33.9	33.9	33.9	33.9	33.9	33.9	33.9	33.9	33.9	33.9
F	18.1	19.7	18.1	21.5	19.9	19.7	18.1	16.5	18.1	18.1	16.5
G	9.8	8.3	6.7	8.3	9.8	9.8	9.8	9.8	9.8	9.8	9.8
H	102.4	94.5	92.9	94.5	96.1	96.1	96.1	96.1	96.1	96.1	96.1
I	68.1	77.2	75.6	77.2	78.7	78.7	78.7	78.7	78.7	78.7	78.7
J	127.4	126	126	126	126	126	126	126	126	126	126
K	39.4	37.4	67.3	35.8	65.7	37.4	39	68.9	39.4	39	68.9
L	50.8	48.4	78	46.5	76.4	48.4	50	79.5	50	50	79.5
M	98.4	88.6	118.5	87	116.9	92.5	90.6	120.1	94.5	90.6	120.1
N	55.1	39.4	39.4	39.4	47.2	47.2	47.2	47.2	47.2	55.1	55.1
O	5.3	-	-	-	-	12.2	-	-	10.2	-	-
DIMENSIONS (°)											
P	83	83	83	83	83	83	83	83	83	83	83

D150AHG	D301AHG	D350AHG	D601AHG	D601AP	D601APG	D1001APG	DR601AHG	DR1001AHG
129.9	163	164.2	193.3	183.9	193.3	197.6	193.3	197.6
63	76.8	77.2	98	98	98	105.9	98	105.9
58.3	68.9	72.4	87	87	87	94.9	87	94.9
47	57.5	61.2	70.9	70.9	70.9	75.6	70.9	75.6
33.9	47.2	40.4	52.8	52.8	52.8	52.8	42.5	39
18.1	22.8	23.6	22.8	28.9	22.8	19.1	22.8	19.1
9.8	10.2	10.2	15	15	15	16.1	15	16.1
96.1	105.1	109.1	129.1 (122.4*)	129.1 (122.4*)	129.1 (122.4*)	143.3 (133.1*)	142.1 (131.9*)	143.3 (133.1*)
78.7	72.6	76.4	90.2	88.2	90.2	100.8	99.6	100.8
129.9	126	175.2	198	194.9	198	202.4	198	202.4
39.4	34.2	34.3	48	16.5	48	49.6	48	49.6
50.8	56.1	58.7	68.5	68.9	68.5	71.7	68.5	71.7
98.4	116.1	121.7	143.3	98	143.3	150.8	146.5	155.1
55.1	68.9	72.8	86.6	85	86.6	91.7	86.6	91.7
5.3	9.8	12.2	4.3	-	4.3	6.1	4.3	6.1
83	71.5	65	75	75	75	75	75	75

* With closed cab.

EQUIPMENT

	D 151 AEG	D 100 AHA / AHG	D 120 AHA / AHG	D 150 AHA / AHG	D 301 AHG	D 350 AHG	D 601 AHG	D 601 AP	D 601 APG	D 1001 APG	DR 601 AHG	DR 1001 AHG
DRIVING POSITION												
Front folding ROPS protective structure		●	●	●								
Rear folding ROPS protective structure	●	○	○	○	●	●	●	●	●	●	●	●
FOPS protective roof on ROPS protective structure		○	○	○								
Closed ROPS/FOPS cab with heating							○	○	○	○	○	○
Closed ROPS/FOPS cab with heating and air conditioning							○	○	○	○	○	○
SAFETY												
Seat belt with fasten sensor	●				●	●	●	●	●	●	●	●
Seat with operator's presence sensor	●				●	●	●	●	●	●	●	●
Rotating beacon		●	●	●		●						
LED rotating beacon	●				●	●	●	●	●	●	●	●
LED green rotating beacon	○				○	○	○	○	○	○	○	○
Acoustic warning for reverse gear	●	●	●	●	●	●	●	●	●	●	●	●
Battery master switch	●				●	●	●	●	●	●	●	●
Emergency stop	●	○	○	○	●	●	●	●	●	●	●	●
Anti-vandal security system	●	●	●	●	●	●	●	●	●	●	●	●
Hill Holder - hill-start assist	●					●					●	●
Negative brake	●				●	●	●	●	●	●	●	●
Full visibility camera on the skip side						●	●	●	●	●	●	●
Full visibility cameras on the skip and counterweight sides and proximity sensors					○	○						
Full visibility camera on the counterweight side and proximity sensors						○	○	○	○	○	○	○
Protective grille on the skip						○	○	○	○	○	●	●
Reflective decals on rear body	○	○	○	○	○	○	○	○	○	○	○	○
LIGHTING AND DRIVING												
Road lights	○	○	○	○	○	○	○	○	○	○	○	○
Front LED working lights	○				○							
Rear-view mirror	●	●	●	●	●	●	●	●	●	●	●	●
Second rear-view mirror					○	○	○	○	○	○	●	●
Third rear-view mirror						○	○	○	○	○	○	○
COMFORT												
Adjustable ergonomic seat	●	●	●	●	●	●	●	●	●	●	●	●
Highly comfortable seat, fully adjustable	○	○	○	○								
All-in-one joystick	●	●	●	●	●	●	●	●	●	●	●	●
ADVANCED EQUIPMENT												
Electric transmission	●											
Hydrostatic transmission		●	●	●	●	●	●				●	●
Limited-slip differential on both axles						●	●	●	●	●	●	●
ECO Mode system						●					●	●
Smart Stop system						○	○	○	○	○	○	○
Digital display	●					●	●	●	●	●	●	●
AUSAnow fleet manager	○	○	○	○	○	○	○	○	○	○	○	○
Long Range Pack	○											

	D 151 AEG	D 100 AHA / AHG	D 120 AHA / AHG	D 150 AHA / AHG	D 301 AHG	D 350 AHG	D 601 AHG	D 601 AP	D 601 APG	D 1001 APG	DR 601 AHG	DR 1001 AHG
ACCESSORIES												
Metal engine cover	●	○	○	○	●							
Front mudguards	○				○	○	○	○	○	○	○	●
Reverse gear acoustic warning disable switch	○	○	○	○	○	○	○	○	○	○	○	○
Car radio							○	○	○	○	○	○
Waterproof document holder	○	○	○	○	○	○	○	○	○	○	○	○
Biodegradable hydraulic oil	○	○	○	○	○	○						○
Water separator diesel filter					○	●						
Air filter with cyclone pre-filter					○	○						
Ball and towing hitch					○	○	○	○	○			
Ball and towing hitch with power socket	○	○	○	○								
Rockinger hitch						○						
Rockinger hitch with power socket							○		○	○	○	○
Power socket for the trailer					○	○	○	○	○	○	○	○
TIRES												
Narrow tires 10.0/75-15.3" TL - 14PR					○							
Turf tires 400/60 -15.5" TL 14PR					○	○						
Pack of 4 turf wheels 400/60 -15.5" TL 14PR (Additional)					○	○						
Turf tires 400/70-20" TL - 14PR							○	○	○		○	
Pack of 4 turf wheels 400/70-20" TL - 14PR (Additional)							○	○	○		○	
Pack of 4 turf wheels 560/45-22.5" TL (Additional)							○	○	○			
SPARE PARTS												
Spare wheels	○	○	○	○	○	○			○	○	○	○
1,000 h maintenance kit	○	○	○	○	○	○	○	○	○	○	○	○

● Standard ○ Optional

AUSA US CORP
9481 Industrial Center Dr, Unit 3,
Ladson, SC 29456
USA
Tel. (843) 202 0387
ausa.us@ausa.com
www.ausa.com

AUSA Center: +34 93 874 7311 - ausa@ausa.com
AUSA Spain: +34 91 669 00 06 ausa.madrid@ausa.com
AUSA France: +33 (0) 4 68 54 38 97 - ausa.france@ausa.com
AUSA U.K.: +44 (0)7703 60 9009 - ausa.uk@ausa.com
AUSA Central Europe: +49 2384 9415725 - kontakt@ausa.com
AUSA U.S.: +1 (310) 426 2305 - ausa.us@ausa.com
AUSA CHINA: +86 10 8598 7386 - ausa.china@ausa.com

Distributor's stamp



www.ausa.com