



Articulated Dumper

D 100 AHA D 100 AHG

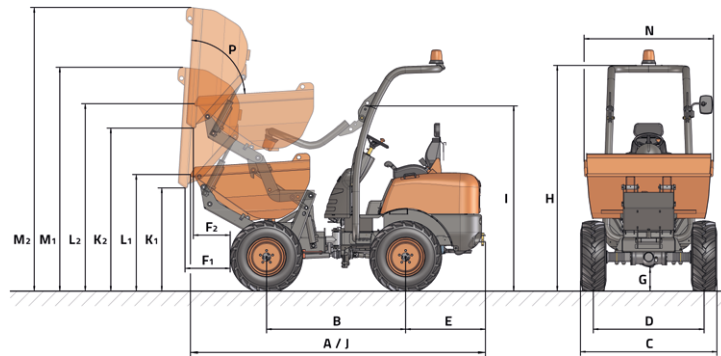


TECHNICAL DATA

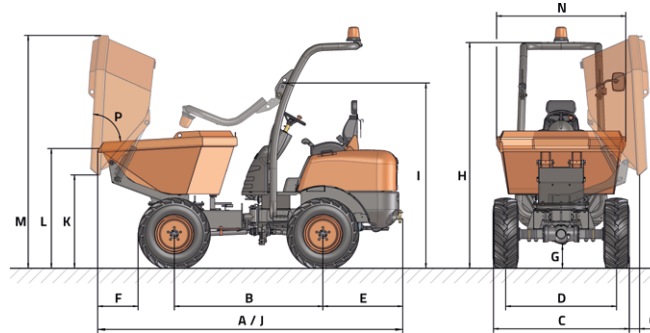
GENERAL		D 100 AHA	D 100 AHA COMPACT	D 100 AHG
Unloading system	-	High	High	Rotating
Load capacity	Kg	1000	1000	1000
Chassis	-	Articulated and oscillating	Articulated and oscillating	Articulated and oscillating
Water hopper capacity	l	345	345	325
Level hopper capacity	l	395	395	390
Heaped hopper capacity	l	565	565	545
Empty weight	Kg	1300	1300	1300
Transmission	-	Hydrostatic	Hydrostatic	Hydrostatic
ENGINE				
Brand	-	KUBOTA	KUBOTA	KUBOTA
Model	-	D1105-E4B	D1105-E4B	D1105-E4B
Power	kW	15,6	15,6	15,6
Operating speed	rpm	2400	2400	2400
Torque	N·m@rpm	71,4@1600	71,4@1600	71,4@1600
No. of cylinders	-	3	3	3
Emissions	-	Stage V, EPA Tier 4	Stage V, EPA Tier 4	Stage V, EPA Tier 4
Noise	dB(A)	101	101	101
DRIVING				
Max. speed	Km/h	15	15	15
Maximum gradient	%	38	38	38
External turning radius	mm	3060	3060	3035
Traction	-	4x4	4x4	4x4
Tyres	-	27x8.5-15"	6.5/80-12	27x8.5-15"
HYDRAULIC SYSTEM				
Hydraulic circuit	-	8 cc gear pump	8 cc gear pump	8 cc gear pump
Flow rate	l/min	17,28	17,28	17,28
Working pressure	bar	180	180	180
TANK CAPACITY				
Fuel	l	23	23	23
Hydraulic system	l	21.2	21.2	21.2
BRAKES				
Service	-	Sealed brakes. Mechanical drive	Sealed brakes. Mechanical drive	Sealed brakes. Mechanical drive
Parking	-	Sealed brakes. Mechanical drive	Sealed brakes. Mechanical drive	Sealed brakes. Mechanical drive

DIMENSIONS

D 100 AHA COMPACT / D 100 AHA



D 100 AHG



DIMENSIONS (mm)	D 100 AHA COMPACT		D 100 AHA		D 100 AHG
A	3200		3200		3200
B	1500		1500		1500
C	990		1100		1100
D	815		865		865
E	860		860		860
F	545	505	500	460	500
G	170		210		210
H	2360		2400		2400
I	1920		1960		1960
J	3200		3200		3200
K	910	1670	950	1710	950
L	1180	1940	1230	1980	1230
M	2210	2970	2250	3010	2350
N	1000		1000		1000
O	-		-		310
DIMENSIONS (°)					
P	83		83		83

1 ▲ | ▲ 2 1 ▲ | ▲ 2



www.ausa.com

Products are subject to modifications without prior notice. Images throughout the spec sheet may refer to non-standard machines or non-available configurations depending on models.

AUSA's logo and corporate identity are property of the Company, they cannot be used without authorization.