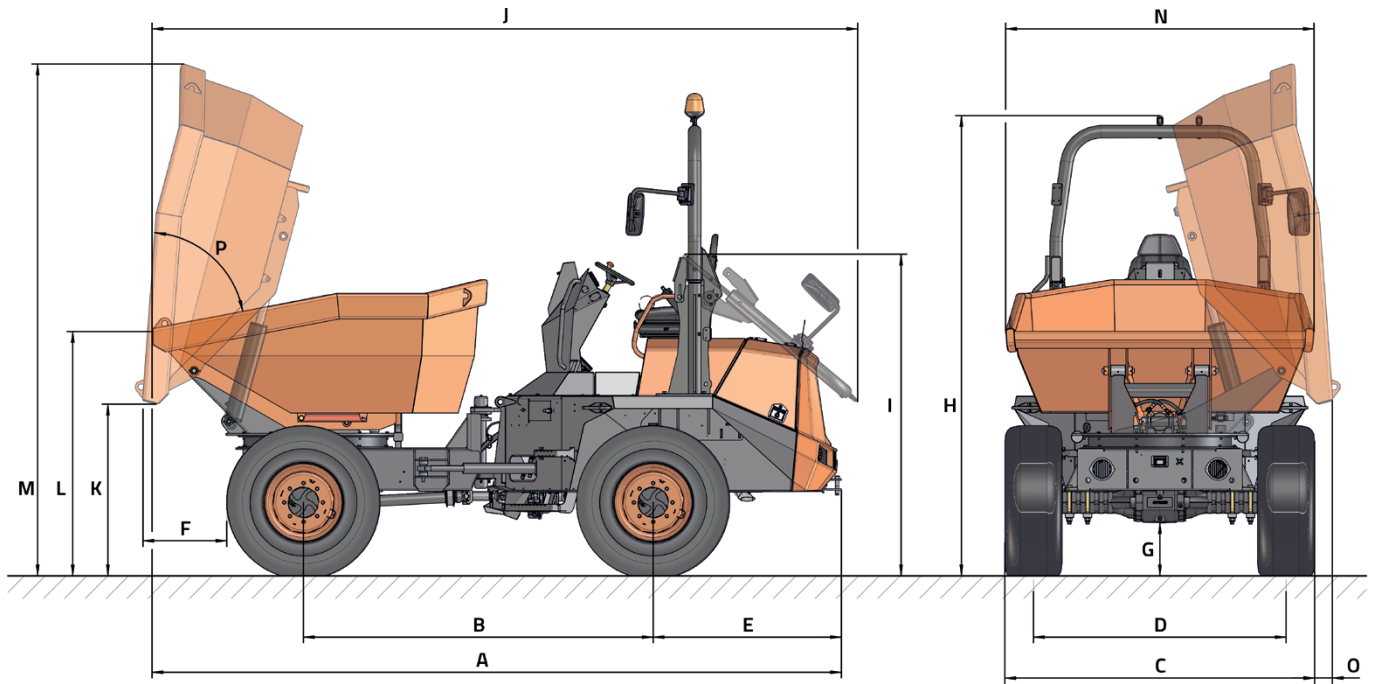




## TECHNICAL DATA

GENERAL		D 601 AHG
Unloading system	-	Rotating
Load capacity	kg	6000
Chassis	-	Articulated and oscillating
Water hopper capacity	l	1665
Level hopper capacity	l	2455
Heaped hopper capacity	l	3154
Empty weight	kg	4490
Transmission	-	Hydrostatic with electric control
<b>ENGINE</b>		
Brand	-	DEUTZ
Model	-	TD 3,6 L4
Power	kW	55,4
Operating speed	rpm	2200
Torque	N-m@rpm	340@1500
No. of cylinders	-	4
Emissions	-	Stage V, Tier 4f
Injection	-	Common Rail
Exhaust aftertreatment	-	DPF (Diesel particulate filter)
Noise	dB(A)	101
<b>DRIVING</b>		
Max. speed	km/h	25
Maximum gradient	%	45
External turning radius	mm	5900
Traction	-	4x4
Tyres	-	405/70-20"
<b>HYDRAULIC SYSTEM</b>		
Hydraulic circuit	-	25 cc and 22,5 cc double gear pump
Flow rate	l/min	50
Working pressure	bar	180
<b>TANK CAPACITY</b>		
Fuel	l	69
Hydraulic system	l	60
<b>BRAKES</b>		
Service	-	Sealed brakes with multiple discs in oil. Hydraulic drive
Parking	-	Sealed brakes with multiple discs in oil. Negative

## DIMENSIONS



DIMENSIONS (mm)	D 601 AHG
A	4910
B	2490
C	2210
D	1800
E	1340
F	580
G	380
H	3280 (3110*)
I	2290
J	5030
K	1220
L	1740
M	3640
N	2200
O	110
DIMENSIONS (°)	
P	75

\* With closed cab



[www.ausa.com](http://www.ausa.com)

Products are subject to modifications without prior notice. Images throughout the spec sheet may refer to non-standard machines or non-available configurations depending on models.

AUSA's logo and corporate identity are property of the Company, they cannot be used without authorization.